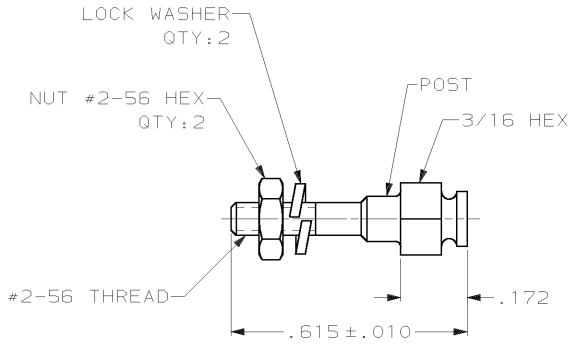


DRAWING MADE IN THIRD ANGLE PROJECTION

THIS DRAWING IS UNPUBLISHED. RELEASED FOR PUBLICATION, 19
 © COPYRIGHT 19 BY AMP INCORPORATED. ALL INTERNATIONAL RIGHTS RESERVED.

LOC	DIST	REVISIONS				
P	F	ZONE	LTR	DESCRIPTION	DATE	APPD
GP	00			REV PER OUID-0274-00	22 OCT 01	JR



- ① PARTS PACKAGED AS A UNIT KIT.
- 2. PARTS PACKAGED UNASSEMBLED.
- ③ ZINC PLATED PER ASTM B633, TYPE II, CLASS SC1, YELLOW CHROMATE.
- ④ ZINC PLATED PER ASTM B633, TYPE III, CLASS SC1, CLEAR CHROMATE.
- ⑤ BULK PACKED AND SHIPPED AS A UNIT PACKAGE IN MULTIPLES OF 1,000 KITS.
- ⑥ COLD ROLLED STEEL PER ASTM A108.

SUPERSEDED BY 747242-3	⑤	④	747242-4
	①	④	747242-3
OBSOLETE	⑤	③	747242-2
	①	③	747242-1
		PACKAGING	FINISH
			PART NUMBER

DO NOT SCALE PRINT. UNLESS SPECIFIED DIMENSIONS IN INCHES TOLERANCES ON: 1. DIM ± .005 2. PLC DEC ± .015 ANGLES ± -		DR 4-23-90 J. GALLUCCI BS CHK 6-15-90 B. LENKER APPD 7-11-90 J. WEST APPD 7-16-90 J. ASSINI	AMP AMP INCORPORATED Harrisburg, Pa. 17105 NAME SLIDING LOCK POST, KIT, #2-56, AMPLIMITE™	
MATERIAL ⑥	PRODUCT SPEC -	APPLICATION SPEC -	SIZE B	FSCM NO 00779
FINISH SEE TABLE	WEIGHT -		SCALE 4:1	DRAWING NO 747242
				SHEET 1 OF 1

AMP 1470-15 REV 3-89
 02-FEB-96 13:50:46 amp40973 /home/ssr-v035/dsk01/dgp14023/amp40973/edead

CUSTOMER DRAWING