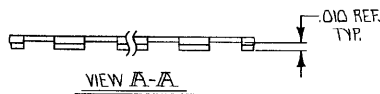
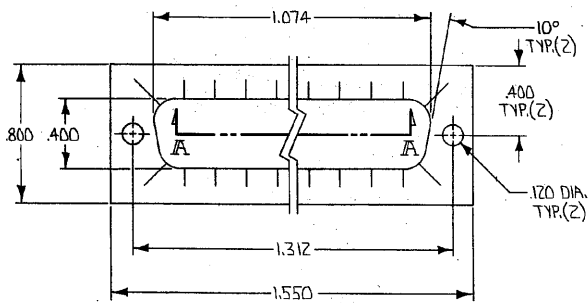


DRAWING MADE IN THIRD ANGLE PROJECTION

© COPYRIGHT 1982 BY AMP INCORPORATED, HARRISBURG, PA, ALL INTERNATIONAL RIGHTS RESERVED. AMP INCORPORATED PRODUCTS COVERED BY U. S. AND FOREIGN PATENTS AND/OR PATENTS PENDING.

747025-3. I.A.S SHOWN

		REVISIONS				
P	F	ZONE	LTR	DESCRIPTION	DATE	APPROVED
0	✓			RELEASED-WAS S091-587	11-4-82	
1	✓	A		REV PER EC 0420-155-96	1-21-97	RT



UNLESS OTHERWISE SPECIFIED DIMENSIONS ARE IN INCHES. TOLERANCES ON: DECIMALS ±.010 ANGLES ± 2°		CONTRACT NO 1-5-81	AMP INCORPORATED Harrisburg, Pa.		PART NO
MATERIAL BRASS, .006 THICK	DR 11-4-82	DATE 11-4-82	NAME RF1 GASKET, SIZE Z, AMPLIMITE		
FINISH BRIGHT TIN/LEAD OVER NICKEL	DSGN APPD	OTHER APPD	SIZE B	CODE IDENT NO 00779	DRAWING NO 747025
SCALE			SHEET 1 OF 1		

AMP 1470-15 REV 8-79

CUSTOMER DRAWING