

4

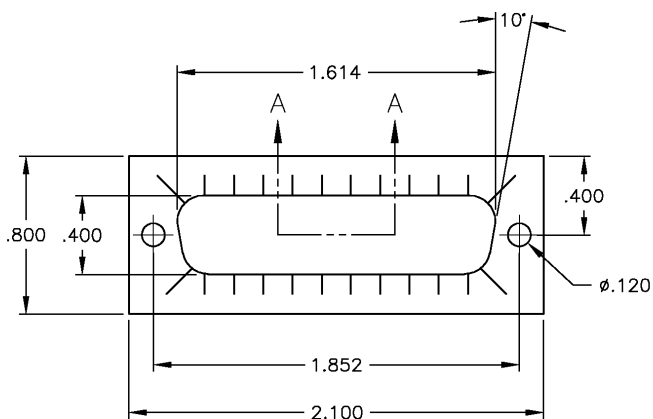
3

2

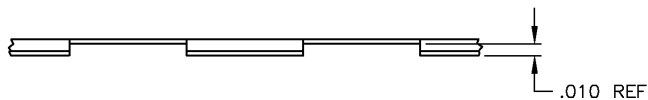
1

THIS DRAWING IS UNPUBLISHED. RELEASED FOR PUBLICATION  
 © COPYRIGHT - BY TYCO ELECTRONICS CORPORATION. ALL RIGHTS RESERVED.

LOC	DIST	REVISIONS			
P	LTR	DESCRIPTION	DATE	DWN	APVD
GP	00	B	REVISED PER EC 0S13-0179-03	20FEB04	JG SS



△ BRIGHT TIN-LEAD OVER NICKEL.  
 △ TIN OVER NICKEL.



VIEW A-A  
 SCALE 8:1

△	745776-4
△	745776-3
FINISH	PART NUMBER

THIS DRAWING IS A CONTROLLED DOCUMENT.		DWN	J. GERACE	20FEB04	 Tyco Electronics Corporation Harrisburg, Pa 17105-3608
DIMENSIONS:		CHK	S. SHUEY	20FEB04	
INCHES		APVD	M. WALMSLEY	20FEB04	
TOLERANCES UNLESS OTHERWISE SPECIFIED:		NAME		RFI GASKET, SIZE 3, AMPLIMITE	
0 PLC	± .	PRODUCT SPEC		-	
1 PLC	± .	APPLICATION SPEC		-	
2 PLC	± .	WEIGHT		-	
3 PLC	± .010	SIZE		A3	00779
4 PLC	± .	DRAWING NO		C-745776	
ANGLES	± 2'	RESTRICTED TO		-	
MATERIAL	.006 THICK BRASS	FINISH		SEE TABLE	
CUSTOMER DRAWING		SCALE		2:1	SHEET 1 OF 1 REV B