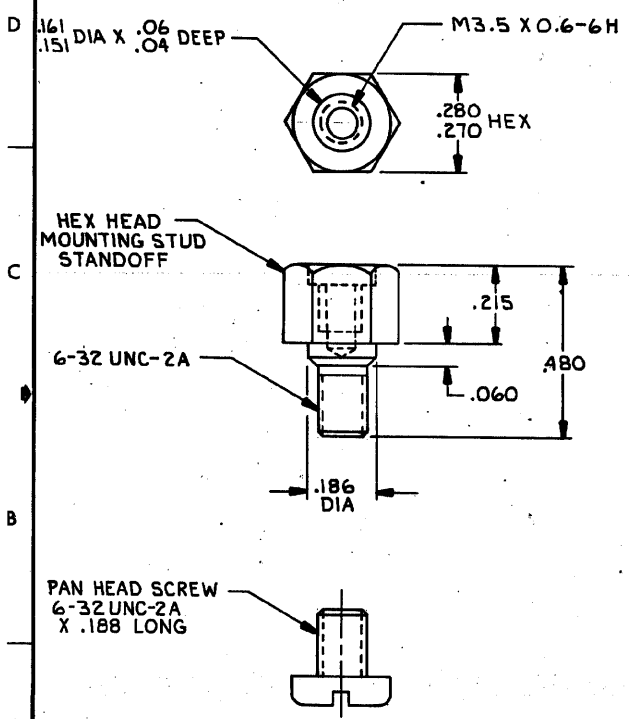


DRAWING MADE IN THIRD ANGLE PROJECTION

THIS DRAWING IS UNPUBLISHED. RELEASED FOR PUBLICATION

© COPYRIGHT 19 BY AMP INCORPORATED, HARRISBURG, PA. ALL INTERNATIONAL RIGHTS RESERVED. AMP PRODUCTS MAY BE COVERED BY U.S. AND FOREIGN PATENTS AND/OR PATENTS PENDING.

2		1		LOC AA	DIST 20
REVISIONS					
P	F	ZONE	LTR	DESCRIPTION	DATE APPROVED
B				REVISED: ECR AA-6042	6-18-85 LMS AH



1. ALL DIMENSIONS SHOWN ARE MAXIMUM UNLESS OTHERWISE SPECIFIED.
2. MATERIAL: STANDOFF- BLACK OXIDE COATED SCREW
PAN HEAD SCREW- ZINC PLATED STEEL.
3. TWO OF EACH COMPONENT REQUIRED PER KIT.
4. ONE KIT SHIPPED PER POLY BAG.

.188 LONG		.062	.062-.093	554858-1
PAN HEAD SCREW		FOR PCB THICKNESS	FOR PANEL THICKNESS	PART NO
UNLESS OTHERWISE SPECIFIED DIMENSIONS ARE IN INCHES. TOLERANCES ON: DECIMALS ± ANGLES ±		AMP AMP INCORPORATED Harrisburg, Pa.		
CONTRACT NO DR C. Yates 7-2-85 C. Fox 7-10-85 APPO 7-11-85 DESIGN APPD OTHER APPD		NAME HARDWARE KIT, VERTICAL MOUNTING PREASSEMBLED SHIELDED, IEEE CHAMP		
MATERIAL △	FINISH △	SIZE B	FSCM NO 00779	DRAWING NO 554858
		SCALE 4:1	SHEET 1 OF 1	

CUSTOMER DRAWING

AMP 1470-17