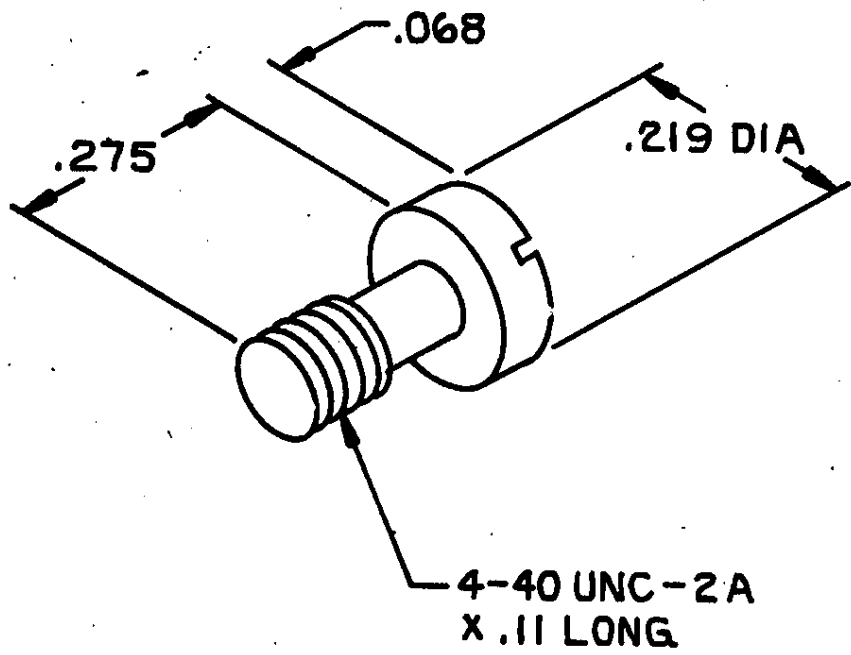


REVISIONS					
P	F	LTR	DESCRIPTION	DATE	APPROVED
0	0		RLSD; NPI C86-1	3/7/86	TE 87

- 1. ALL DIMENSIONS SHOWN ARE MAXIMUM UNLESS OTHERWISE SPECIFIED.
- 2. MATERIAL: BRIGHT ZINC PLATED CARBON STEEL.



THIS DRAWING IS UNPUBLISHED. RELEASED FOR PUBLICATION
 BY AMP INCORPORATED, HARRISBURG, PA. ALL INTERNATIONAL RIGHTS RESERVED. AMP PRODUCTS MAY BE COVERED BY U.S. AND FOREIGN PATENTS AND/OR PATENTS PENDING.

BULK PACKED 554726-1
 PACKAGED PART NO

UNLESS OTHERWISE SPECIFIED DIMENSIONS ARE IN INCHES. TOLERANCES ON: DECIMALS ±.001 ANGLES ±.001

CONTRACT NO
 DR *J. Canty* 3/7/86
 CHK *S. Fox* 3-20-86
 APPD *B. Hutchens* 5/27/86
 APPD *S. Wilkinson* 5-27-86
 DSGN APPD
 OTHER APPD

AMP | AMP INCORPORATED
 Harrisburg, Pa. 17105

NAME SCREW, PAN HEAD, CAPTIVE, SHIELDED CHAMP

MATERIAL

FINISH

SIZE **A** FSCM NO **00779** DRAWING NO **554726**

SCALE 4:1 SHEET 1 OF 1