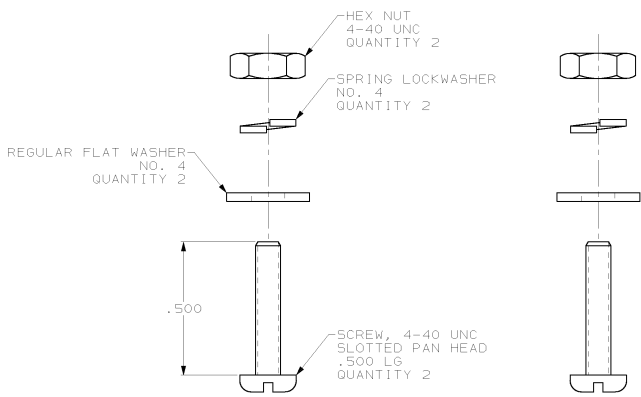
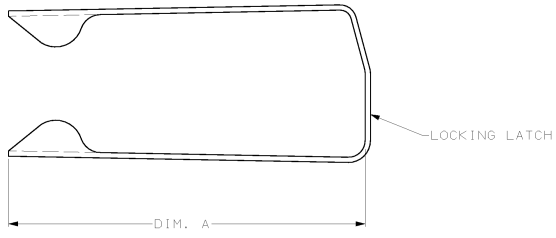


THIS DRAWING IS UNPUBLISHED. RELEASED FOR PUBLICATION
 © COPYRIGHT 19 BY AMP INCORPORATED. ALL RIGHTS RESERVED.

LOC	REV	DATE	DESCRIPTION	DATE	BY	CHKD
AA	20					
	D		REVISED PER EC 0515-0213-03	26AUG03	DD	RM

- △ MATERIAL: SCREW, WASHER, LOCKWASHER AND NUT - ZINC PLATED STEEL.
 LATCH - PASSIVATED STAINLESS STEEL.
- ALL DIMENSIONS SHOWN ARE FOR REFERENCE ONLY, UNLESS OTHERWISE SPECIFIED.
 - THIS KIT SHIPPED UNASSEMBLED.



.857	14 & 24	553359-2
1.338	36 & 50	553359-1
DIM. A	POSITION	PART NUMBER

THIS DRAWING IS A CONTROLLED DOCUMENT.		DRW CEL DRUMMOND	26AUG2003	AMP TYCO Electronics Harrisburg, PA 17105-3608
DIMENSIONS: INCHES		REP RIP McCLEAN	26AUG2003	
TOLERANCES UNLESS OTHERWISE SPECIFIED:		PROJ BR McCLEAN	26AUG2003	
1/16 .0005 1/32 .0005 1/64 .0005 HOLE .0005 FINISH		NAME		
MATERIAL		APPLICATION SPEC	SIZE	SCALE CODE DRAWING NO
△ △		REQUIR	A200779	553359
CUSTOMER DRAWING		RESTRICTED TO	-	
		SCALE	4:1	SHEET 1 OF 1 REV D

553359