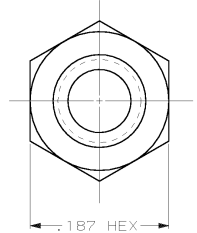
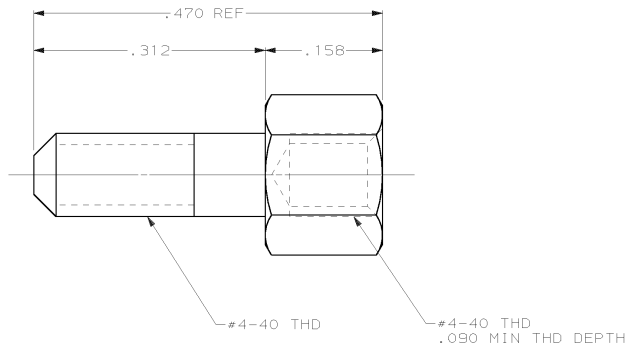


DRAWING MADE IN THIRD ANGLE PROJECTION
 THIS DRAWING IS UNPUBLISHED. RELEASED FOR PUBLICATION .19 .
 © COPYRIGHT 19 BY AMP INCORPORATED. ALL INTERNATIONAL RIGHTS RESERVED.

LOC	DIST	P	F	ZONE	LTR	REVISIONS	DATE	APPD
GP	00				B	REVISED PER EC 0513-0395-02		JG

- 1 MATERIAL: COLD ROLLED STEEL PER ASTM A108.
- 2 FINISH: ZINC PLATED PER ASTM B633, TYPE 11, CLASS SC1, YELLOW CHROMATE.
- 3 MATERIAL: BRASS.
- 4 FINISH: NICKEL PLATED, .050μ MINIMUM.



OBSOLETE	4	3	748270-3
	2	1	748270-2
	FINISH	MATERIAL	PART NO

DO NOT SCALE PRINT. UNLESS SPECIFIED DIMENSIONS IN INCHES TOLERANCES ON :	DR -	AMP INCORPORATED Manufacturing, Pd. 17109	
2 PLC DEC ± -	CHK -		
3 PLC DEC ± .005	APPD -	NAME	
ANGLES ± -	APPD -	SCREWLOCK, FEMALE, SHORT HEAD, .090 PANEL, AMPLIMITE	
MATERIAL	PRODUCT SPEC	SIZE	FSCM NO
SEE TABLE	-	C	00779
FINISH	APPLICATION SPEC	DRAWING NO	748270
SEE TABLE	-	SCALE	10:1
WEIGHT	-	SHEET	1 OF 1

CUSTOMER DRAWING