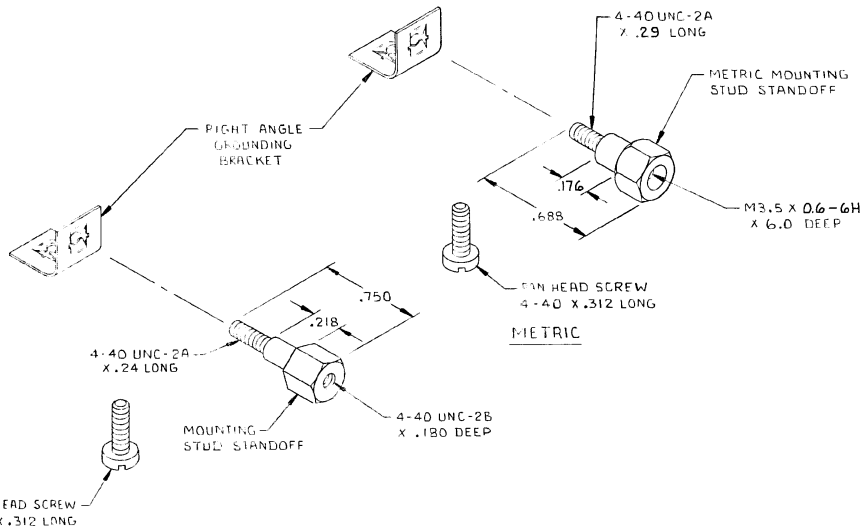


DRAWING MADE IN THIRD ANGLE PROJECTION

THIS DRAWING IS UNPUBLISHED. RELEASED FOR PUBLICATION . 19
 © COPYRIGHT 19 BY AMP INCORPORATED, HARRISBURG, PA. ALL INTERNATIONAL RIGHTS RESERVED. AMP PRODUCTS MAY BE COVERED BY U.S. AND FOREIGN PATENTS AND/OR PATENTS PENDING.

REVISONS					
P	F	ZONE/LTR	DESCRIPTION	DATE	APPROVED
		C	0654-1; EC 0210-0375-05	11/21/81	PC



1. ALL DIMENSIONS SHOWN ARE FOR REFERENCE ONLY UNLESS OTHERWISE SPECIFIED.
 2. TWO PIECES OF EACH REQUIRED PER KIT.
 3. ALL HARDWARE SHIPPED UNASSEMBLED.
- ⚠ MATERIAL: METRIC MOUNTING STUD - BLACK OXIDE COATED CARBON STEEL.
 MOUNTING STUD - ZINC PLATE WITH 7-11% CHROMATE OVER STEEL.
 PAN HEAD SCREW - PASSIVATED STAINLESS STEEL.
 BRACKET - ZINC PLATED STEEL.

STANDARD

METRIC

METRIC	553638-2
TYPE OF MOUNTING	PART NO

UNLESS OTHERWISE SPECIFIED DIMENSIONS ARE IN INCHES TOLERANCES ON: DECIMALS ± .01 ANGLES ± .5	CONTRACT NO	AMP AMP INCORPORATED Harrisburg Pa 17105	
	DR 0401 11-12-81	NAME KIT, HARDWARE, EMI, RIGHT ANGLE, STANDARD/METRIC (CHAMP)	
	CHK MDW 11 25 81	DRAWING NO 553638	
	MATERIAL ⚠	APPR M 11/2/81	SIZE C
FINISH ⚠	DSGN APPD 12/21/81	SCALE 2/1	SHEET 1 OF 1

CUSTOMER DRAWING

553638