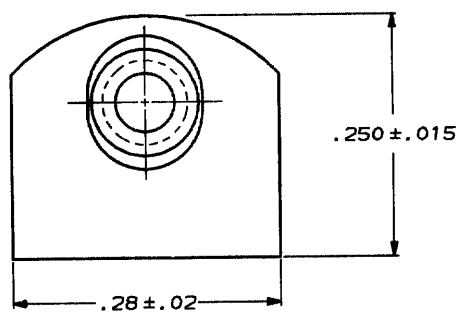
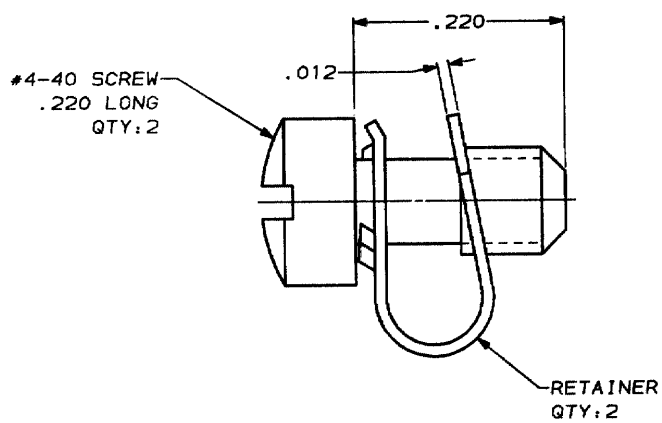


DRAWING MADE IN THIRD ANGLE PROJECTION

THIS DRAWING IS UNPUBLISHED. RELEASED FOR PUBLICATION, 19
 © COPYRIGHT 19 BY AMP INCORPORATED. ALL INTERNATIONAL RIGHTS RESERVED.

MOD 8 LOG BD DIST 39 P F

REVISIONS				
ZONE	LTR	DESCRIPTION	DATE	APPD
	D	REDRAWN ON CAD	4-17-90	-
✓	E	REV PER ECN BD4276	12/07/90	-



- 1. PARTS PACKAGED UNASSEMBLED.
- ② ZINC PLATED PER ASTM B633, TYPE II, CLASS SC1, YELLOW CHROMATE.
- ③ STAINLESS STEEL PER ASTM A686.
- ④ PARTS PACKED AS A UNIT KIT.
- ⑤ PARTS INDIVIDUALLY BULK PACKED & SHIPPED AS A UNIT PACKAGE.

⑤	745647-2
④	745647-1
PACKAGING	PART NUMBER

DO NOT SCALE PRINT. UNLESS SPECIFIED	DR 2-19-90	AMP INCORPORATED Harrisburg, Pa. 17105
DIMENSIONS IN INCHES	CHK 8-15-90	
TOLERANCES UNLESS SPECIFIED	V.B. LEWIS	NAME KIT, SCREW RETAINER AMPLIMITETM HDE
2 PLD DEC * -	APPD 7-11-90	
3 PLD DEC * .010	J.E. WESTMAN	SIZE B
ANGLES * -	J. KRINI	PSGN NO 00779
MATERIAL	PRODUCT SPEC	DRAWING NO 745647
SCREWS: STEEL	APPLICATION SPEC	SCALE 10:1
RETAINERS: ③	WEIGHT -	SHEET 1 OF 1
FINISH		
SCREWS: ②		

CUSTOMER DRAWING

AMP 1670-15 REV 3-88
 1 07 SEP 1000 10:57:36 AM TTY: 717-651-1111 FAX: 717-651-1112