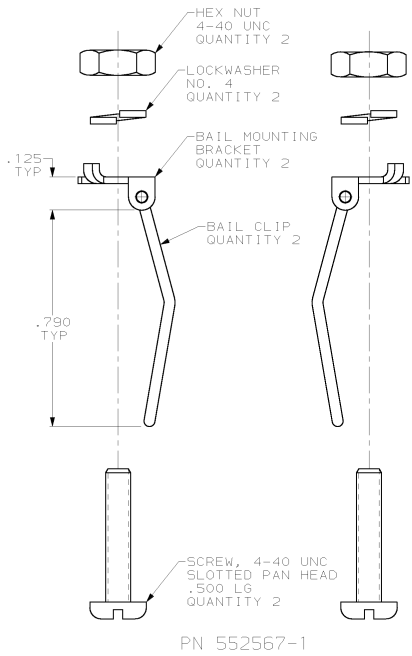
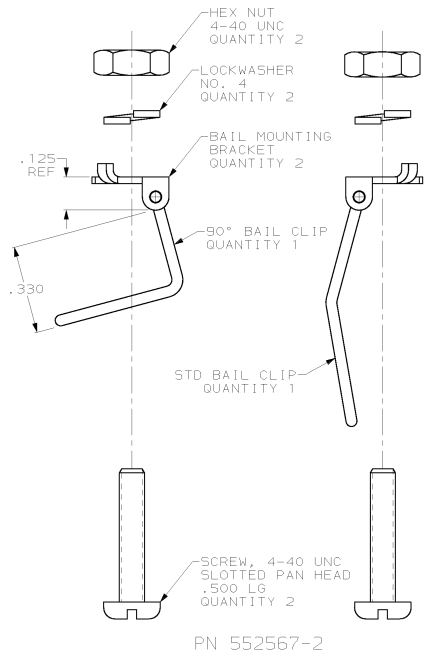


THIS DRAWING IS UNPUBLISHED. RELEASED FOR PUBLICATION
 BY AMP INCORPORATED. ALL RIGHTS RESERVED.

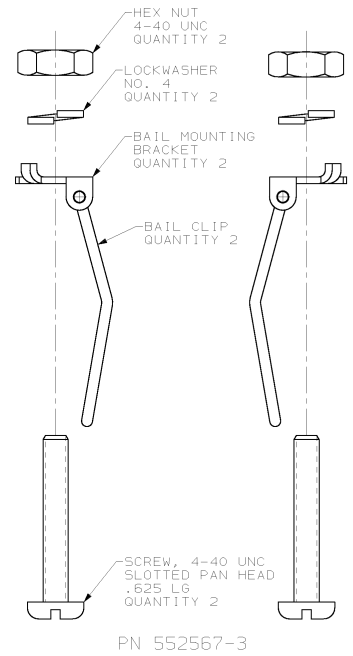
LOC	REV	DATE	DESCRIPTION	DATE	BY	APP'D
AA	20					
	D		REVISED PER EC 0515-0213-03	26AUG03	DD	RM



PN 552567-1



PN 552567-2



PN 552567-3

SCREW LENGTH	90° BAIL CLIP	STD BAIL CLIP	PART NUMBER
.625	-	2	552567-3
.500	1	1	552567-2
.500	-	2	552567-1

⚠ MATERIAL: BAIL CLIP - STAINLESS STEEL, PASSIVATED;
 ALL OTHERS PARTS ZINC OR CADMIUM PLATED STEEL.

2. PARTS SHIPPED LOOSE PIECE IN A BAG OR CONTAINER.

THIS DRAWING IS A CONTROLLED DOCUMENT.		DR: C. L. DRUMMOND	DATE: 26AUG2003	TYCO Electronics
DRAWING: INCHES		CHK: R. McCREAN	DATE: 26AUG2003	Harrisburg, PA 17105-3608
MATERIAL: STAINLESS		APP: R. McCREAN	DATE: 26AUG2003	AMP
FINISH: 2		PRODUCT: -	APPLICATION SPEC: -	HARDWARE KIT,
TEMPERATURE: 2		HEIGHT: -	SIZE: -	BAIL LOCK, PANEL MOUNTING, CHAMP
STRENGTH: 2		WEIGHT: -	SCALE CODE: A2	007795-552567
TOLERANCE: 2		FINISH: 2	CUSTOMER DRAWING	RESTRICTED TO: -
SCALE: 4:1		SHEET 1 of 1		REV D

552567