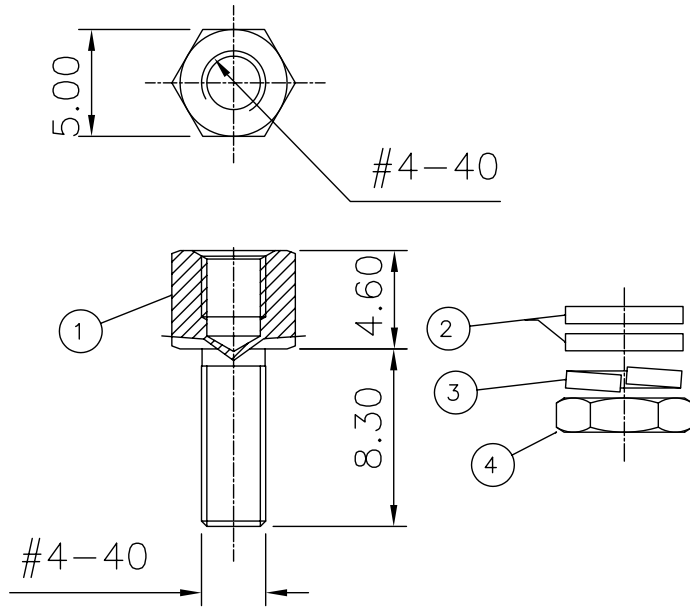


This document is the property of Amphenol Corporation and is delivered on the express condition that it is not to be disclosed, reproduced or used, in whole or in part, for manufacture or sale by anyone other than Amphenol Corporation without its prior consent. All right is granted to disclose or to use any information in this document.



- ① SCREWS
- ② 2 WASHERS
- ③ LOCK WASHERS
- ④ NUTS

CUSTOMER DRAWING

REVISIONS				
SYM	ECN	DESCRIPTION	DATE	APPROVED
1			06/17/08	

D-SUB TECHNICAL DATA

Plating : tinned  
delivered separately  
1 P/N = 10 lockings  
2 lockings are necessary for one connector

MARKING:

Amphenol-...(Series No.)  
Commercial reference  
Manufacturing date

UNLESS OTHERWISE SPECIFIED		APPROVAL		DATE	Amphenol®
TOLERANCES		DRAWN	Issa.peng	07/31/07	
	U.S.	CHECKED	tk.wong	07/31/07	TITLE Accessory, screwlock with nut and washes
	METRIC				
X	+/-				DRAWING FILE : DRAWING:Dom\MYD204182
.XX	+/-				
.XXX	+/-				ANGLE OF PROJECTION
FRACTIONS	+/-				
ANGLES	+/-				FOR MATERIALS AND FINISHES SEE NOTES
					REMOVE SHARP EDGES
					DIMENSIONS
					SCALE NONE
					SHEET 1 OF 1