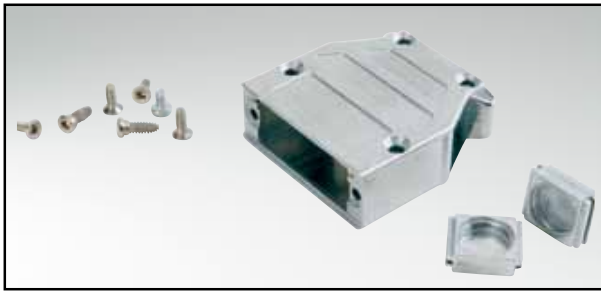


D-SUB METAL HOOD

Variable cable entries – 9-50 pos. – Without jack screws



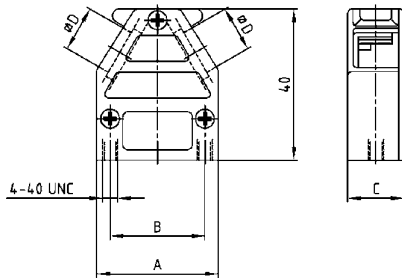
RoHS compliant – CSA listed, File No.: LR 115000-1 – UL listed, File No.: E202784

DESCRIPTION

- Zinc die-cast hood, EMI/RFI shielding
- Two designs:
 - Type 1: 1.575" / 40 mm height
 - Type 2: 2.165" / 55 mm height
- Delivery includes: Hood with covers, blanking plugs, screws for assembly
- Cable clamp must be ordered separately
- Crimp fitting and crimp tool please contact factory
- Bulk or single packaged units

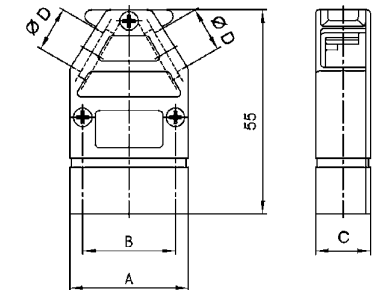
PRODUCT DRAWING

Type 1: Installation height 1.575" / 40 mm
9 pos.

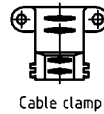
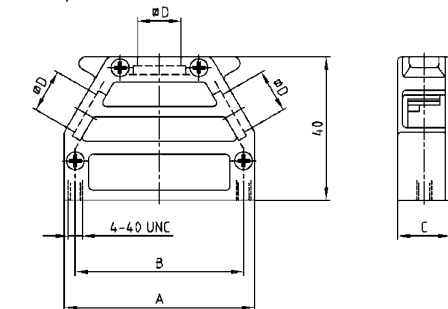


No. of pos.	A	B	C	Ø D
09	32.00	25.00	14.80	12.10
15	39.30	33.30	14.80	12.10
25	53.20	47.04	14.80	12.10
37	69.50	63.50	14.80	12.10
50	67.00	61.10	17.80	14.60

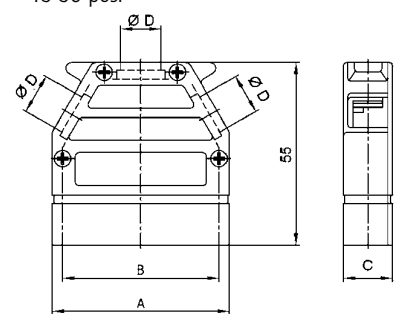
Type 2: Installation height 2.165" / 55 mm
9 pos.



15-50 pos.



15-50 pos.



ORDER DATA

D-SUB METAL HOOD – VARIABLE CABLE ENTRIES – TYPE 1		
No. of pos.	Design	Part Number
09	Housing / Two side cable entries	165 X 10819 X
15	Housing / Two side cable entries	165 X 10829 X
25	Housing / Three cable entries	165 X 10839 X
37	Housing / Three cable entries	165 X 10849 X
50	Housing / Three cable entries	165 X 10859 X
09-37	Cable clamp	160 X 11189 X
50	Cable clamp	160 X 11199 X

D-SUB METAL HOOD – VARIABLE CABLE ENTRIES – TYPE 2		
No. of pos.	Design	Part Number
09	Housing / Two side cable entries	165 X 11159 X
15	Housing / Two side cable entries	165 X 10869 X
25	Housing / Three cable entries	165 X 10879 X
37	Housing / Three cable entries	165 X 10889 X
50	Housing / Three cable entries	165 X 10899 X
09-37	Cable clamp	160 X 11189 X
50	Cable clamp	160 X 11199 X

For single packaged add the letter „E“ at the end of the part number.