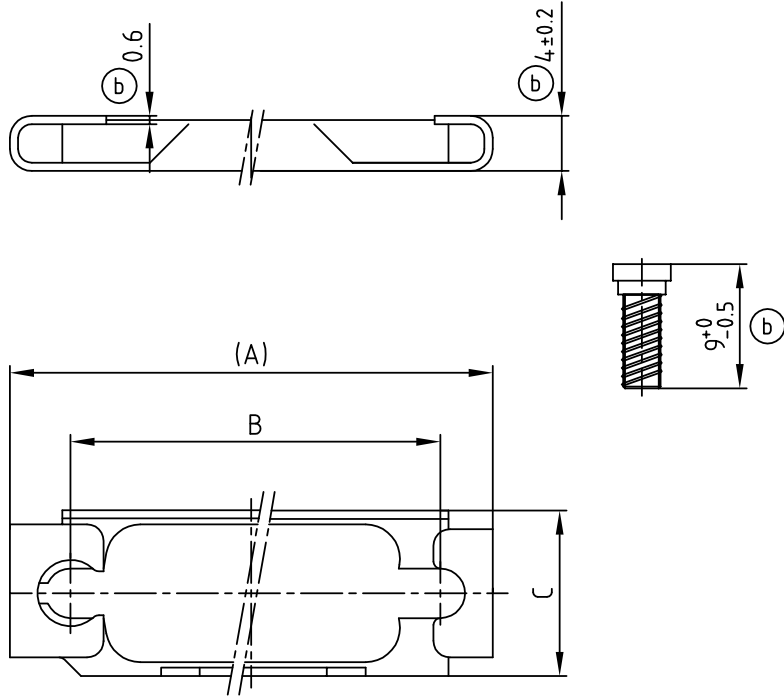


used for: D-SUB



(b)
A set consists of:
1 frame
2 screws

(b)
Material and plating:
frame - stainless steel
screws; 5-7µ Zn thickfilm passivated

Directive 2002/95/EC
"RoHS"
Compliant

No. of Pos.	(b) A	(b) B	(b) C	Part No.
9	35.0	27.4	12.0	160X10159X
15	43.3	35.7	11.5	160X10169X
25	57.0	49.4	12.0	160X10179X
37	74.4	65.9	12.0	160X10189X
50	72.0	63.5	15.0	160X10199X

THIS DRAWING MAY NOT BE COPIED OR REPRODUCED IN ANY WAY, AND MAY NOT BE PASSED ON TO A THIRD PARTY WITHOUT WRITTEN PERMISSION.
 OWNERSHIP AND COPYRIGHT OF CONEC GmbH
 DO NOT ALTER CAD DRAWING BY HAND

tolerance DIN ISO 2768-m				scale: 2:1	
2002		date		material: SEE NOTES	
drawn		12.03.		title:	
appd.		12.03.		Slide-lock Typ 3 with locking bolt 9 - 50 pos.	
norm				dwg no: AutoCAD 2000	
d-old		KAT1X5A		DIN-A	
8 x b	Ä 3055	14.07.2008	Lehmen	16K1A602	
a	Origin			sh: 1/1	
rev.	description	date	name	part no: SEE TABLE	

