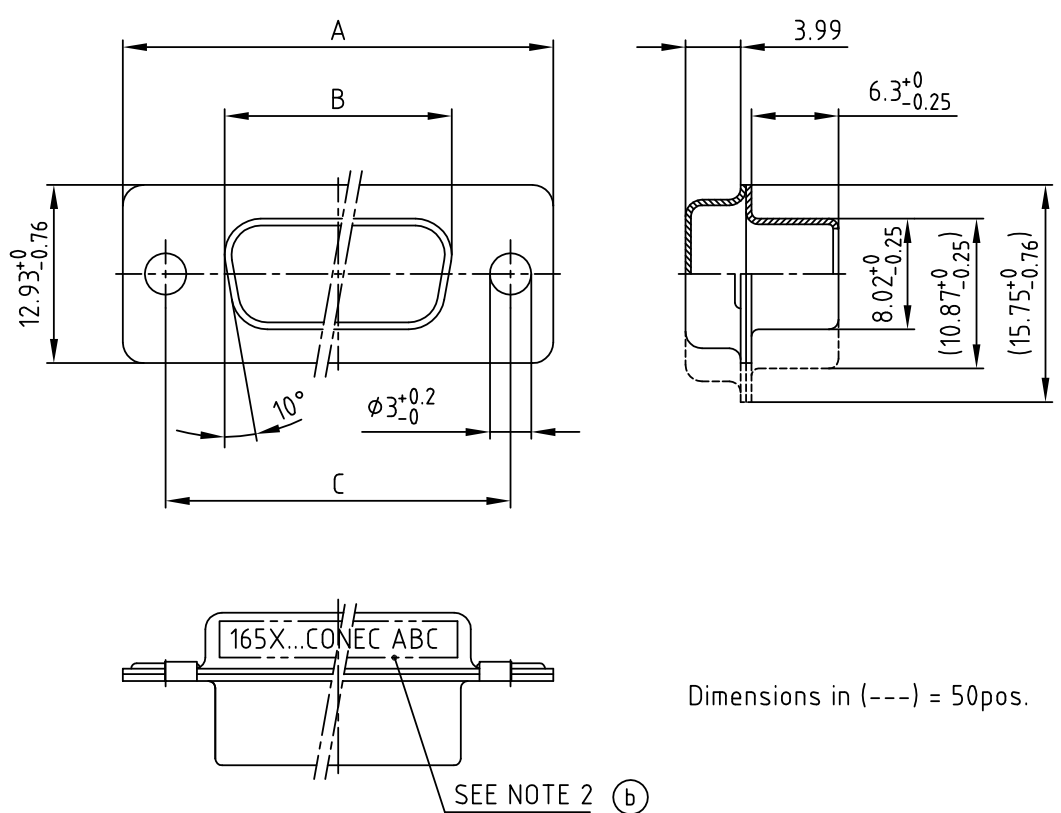


used for: D-SUB



Dimensions in (---) = 50pos.

No. of pos.	A -0.76	B -0.25	C	Part No:
9	31.19	16.46	25.00 $\begin{smallmatrix} +0.12 \\ -0.13 \end{smallmatrix}$	165X13129X
15	39.52	24.79	33.30 $\begin{smallmatrix} +0.15 \\ -0.1 \end{smallmatrix}$	165X13139X
25	53.42	38.50	47.04 $\pm 0.13$	165X13149X
37	69.70	54.96	63.50 $\pm 0.13$	165X13159X (165X13349X / 165X13159X-S)
50	67.31	52.55	61.10 $\begin{smallmatrix} +0.14 \\ -0.11 \end{smallmatrix}$	165X13169X

NOTES:

- METALSHELLS: STEEL; min. 315µin TIN over 40-80µin NICKEL
- CONNECTOR IS PART MARKED: PART NO: CONEC ABC



THIS DRAWING MAY NOT BE COPIED OR REPRODUCED IN ANY WAY, AND MAY NOT BE PASSED ON TO A THIRD PARTY WITHOUT WRITTEN PERMISSION. OWNERSHIP AND COPYRIGHT OF CONEC GmbH DO NOT ALTER CAD DRAWING BY HAND				tolerance			scale: 2:1	
							material: SEE NOTES	
				2002	date	name	title: Covered screen cap 9-50pos. for plug connector for EMI/RFI	
				drawn	24.07.	Schmidt		
				appd.	24.07.	Mickenbecker		
			norm		DIN 41652		dwg no: AutoCAD 2000	
			d-old		KAT11Y4A			
			1 x b	Ä3162	29.10.2008	Sonne	DIN-A	
			a	Origin		16K1A716		
			rev.	description	date	name	sh: 1/1	
							part no: SEE TABLE	

