

# D-SUB SHIELDED CAP

Metal design – Shielded – 9-50 pos. – For use with shell size 1-5

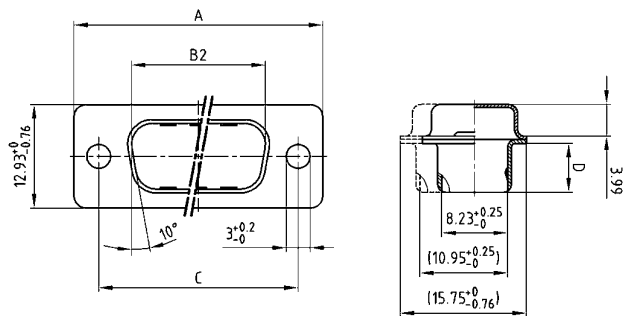


RoHS compliant

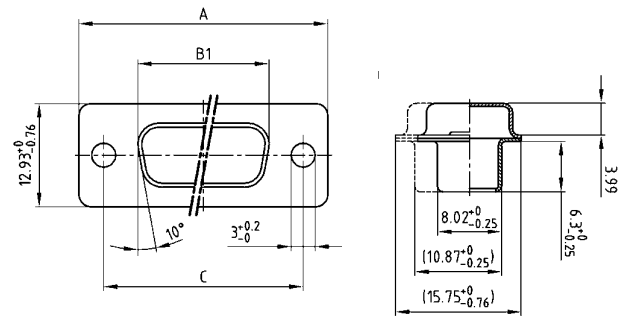
### DESCRIPTION

- Shielded cap protecting against EMI/RFI
- Material: Steel tin plated
- Mounting style: with Through-hole  $\varnothing$  .118"/3.00 mm
- Bulk packaged

### FOR SOCKET CONNECTOR



### FOR PLUG CONNECTOR



50 pos. = Dim. in (..)

No. of pos.	A <sub>±0.76</sub>	B1 <sub>±0.25</sub>	B2 <sub>±0.25</sub>	C	D <sub>±0.3</sub>
09	31.19	16.46	16.79	25.00	6.12
15	39.52	24.79	25.12	33.30	6.12
25	53.42	38.50	38.84	47.04	5.99
37	69.70	54.96	55.30	63.50	5.99
50	67.31	52.55	52.68	61.10	5.99

### ORDER DATA

SHIELDED CAP FOR SOCKET CONNECTOR		
No. of pos.	Design	Part Number
09	Metal/Through-hole $\varnothing$ .118"/3.00 mm	165 X 12969 X
15	Metal/Through-hole $\varnothing$ .118"/3.00 mm	165 X 12979 X
25	Metal/Through-hole $\varnothing$ .118"/3.00 mm	165 X 12989 X
37	Metal/Through-hole $\varnothing$ .118"/3.00 mm	165 X 12999 X
50	Metal/Through-hole $\varnothing$ .118"/3.00 mm	165 X 13009 X

SHIELDED CAP FOR PLUG CONNECTOR		
No. of pos.	Design	Part Number
09	Metal/Through-hole $\varnothing$ .118"/3.00 mm	165 X 13129 X
15	Metal/Through-hole $\varnothing$ .118"/3.00 mm	165 X 13139 X
25	Metal/Through-hole $\varnothing$ .118"/3.00 mm	165 X 13149 X
37	Metal/Through-hole $\varnothing$ .118"/3.00 mm	165 X 13159 X
50	Metal/Through-hole $\varnothing$ .118"/3.00 mm	165 X 13169 X