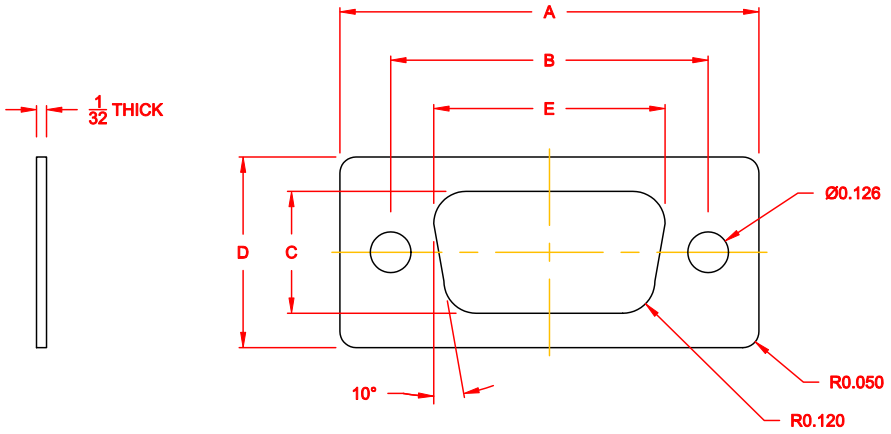


DESCRIPTION: SEALING FLANGE


MATERIAL: 0.031" THICK SILICONE - UL94-HB WITH ADHESIVE BOTH SIDES



SFP67 YY
 SERIES
 SHELL SIZE

DIMENSIONS					
SHELL SIZE	A	B	C	D	E
9	1.299	0.984	0.378	0.591	0.717
	32.99	24.99	9.60	15.01	18.21
15	1.614	1.311	0.378	0.591	1.039
	41.00	33.30	9.60	15.01	26.39
25	2.165	1.850	0.378	0.591	1.583
	54.99	46.99	9.60	15.01	40.21
37	2.835	2.500	0.378	0.591	2.228
	72.01	63.50	9.60	15.01	56.59
50	2.758	2.406	0.488	0.709	2.134
	70.05	61.11	12.40	18.01	54.20

DO NOT SCALE FROM DRAWING

	THESE DRAWINGS AND SPECIFICATIONS ARE THE PROPERTY OF NorComp AND SHALL NOT BE REPRODUCED, COPIED OR USED AS THE BASIS FOR THE MANUFACTURE OR SALE OF APPARATUS WITHOUT WRITTEN PERMISSION.		DRAWN: C. SMITH	DATE: 08-14-08
	CHECKED:		DATE:	
<h1>NorComp</h1>		SCALE: 2:1	SHEET 1 OF 1	REV 2
		DWG NO. SFP67YY		

RoHS COMPLIANT