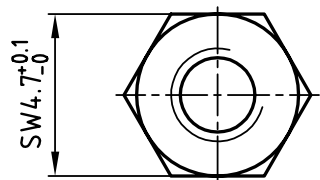
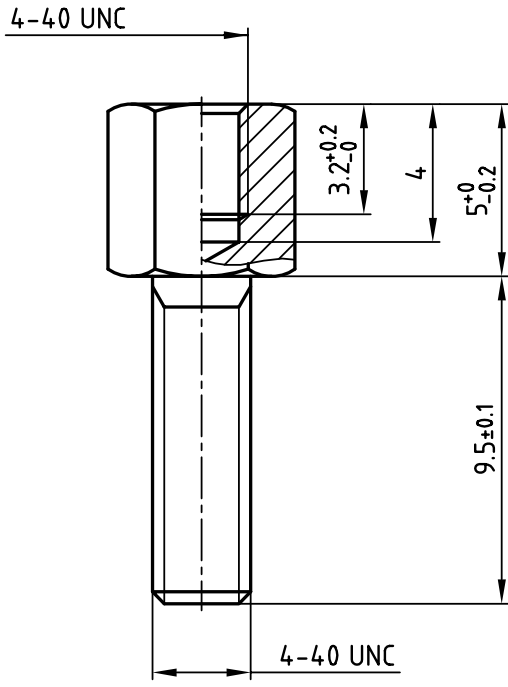


used for:



Part-No.
160X10269X-S5
160X00699A

Notes:

1. Part is splint and burrfree
2. Threaded core dimension 4-40 UNC: 2.257±0.1
3. Test equipment measurement: 4-40 UNC-2B (thread inner)
4-40 UNC-2A (thread outer)

THIS DRAWING MAY NOT BE COPIED OR REPRODUCED IN ANY WAY, AND MAY NOT BE PASSED ON TO A THIRD PARTY WITHOUT WRITTEN PERMISSION. OWNERSHIP AND COPYRIGHT OF CONEC GmbH DO NOT ALTER CAD DRAWING BY HAND	tolerance			scale: 5:1		
	ISO 2768-m			material: STAINLESS STEEL		
	2002	date	name	title: HEX BOLT 4-40 UNC / 4-40 UNC 14.5 mm long		
	drawn	03.07.	Schmidt			
	appd.	03.07.	Mickenbecker			
norm						
d-old			dwg no: CAD/ 2000		DIN-A	
			740FEL0A		4	
			product no: SEE TABLE		sh: 1/1	
rev.	description	date	name			