

4

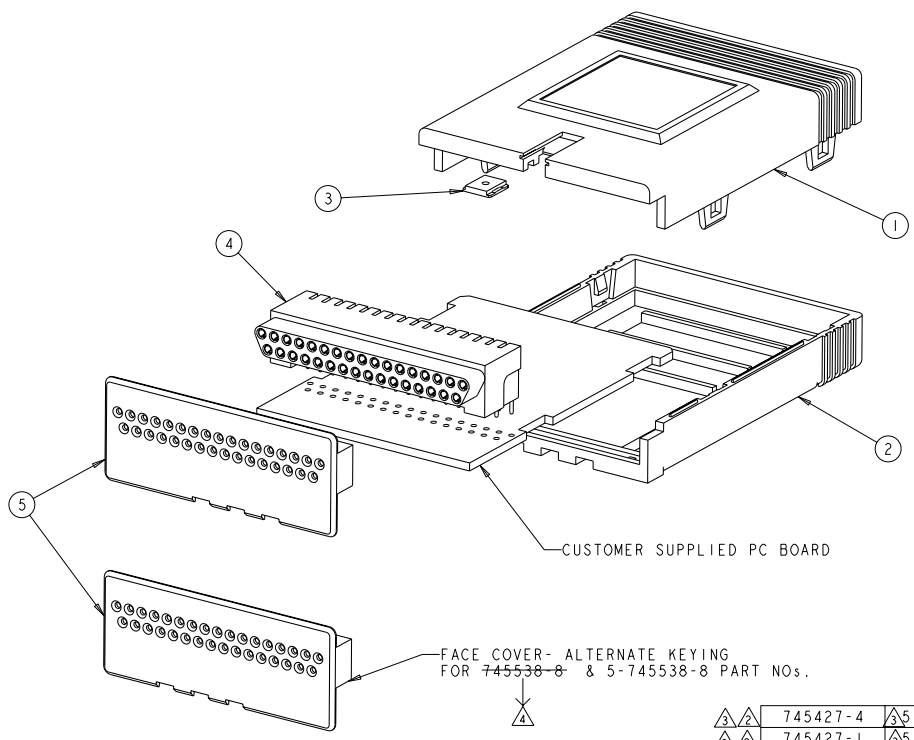
3

2

1

THIS DRAWING IS UNPUBLISHED. RELEASED FOR PUBLICATION. BY TYCO ELECTRONICS CORPORATION. ALL RIGHTS RESERVED.

REV	DATE	BY	APPROV
C	19MAR2001	RB	JO
C1	04X12006	MS	JO
C2	11DEC09	KK	AEG



3	745427-4	5-745447-1	745442-1	745433-1	745432-1	5-745538-8
3	745427-1	5-745447-1	745442-1	745433-1	745432-1	5-745538-5
3	745427-1	5-745447-1	745442-1	745433-1	745432-1	5-745538-1
2	745427-4	745447-1	745442-1	745433-1	745432-1	745538-8
2	745427-1	745447-1	745442-1	745433-1	745432-1	745538-5
1	745427-1	745447-1	745442-1	745433-1	745432-1	745538-1
5	FACE COVER	RCPT ASSY	SLIDE SWITCH	BOTTOM COVER	TOP COVER	PART NO.
	QTY = 1	QTY = 1	QTY = 1	QTY = 1	QTY = 1	

- ⚠ COMPONENTS BULK PACKED PER DASH NO. REFER TO PACKAGING SPEC. NO. 107-40059-1.
- ⚠ COMPONENTS KIT PACKED PER DASH NO. REFER TO PACKAGING SPEC. NO. 107-40059-2.
- ⚠ ROHS 2002/95/EC COMPLIANT
- ⚠ OBSOLETE PARTS: OBSOLETE CIS STREAMLINING PER D.RENAUD/D.SINISI

DIMENSIONS: INCHES		TOLERANCES UNLESS OTHERWISE SPECIFIED		DATE: 22MAR2001		DRAWN BY: R. BROWN		CHECKED BY: J. OLSON		APPROVED BY: J. OLSON		NAME: J. OLSON		DATE: 22MAR2001		TYCO ELECTRONICS CORPORATION HARRISBURG, PA 17105-3608	
MATERIAL		FINISH		APPLICATION SPEC		WEIGHT		SCALE		SHEET		OF		REV		C2	
								A2		00779		745538					