

4

3

2

1

THIS DRAWING IS UNPUBLISHED.

RELEASED FOR PUBLICATION

ALL RIGHTS RESERVED.

COPYRIGHT - By -

LOC
FT 0DIST
0

REVISIONS

| P | LTR | DESCRIPTION | DATE | DWN | APVD |
|----|-----|---------------------------|---------|-----|------|
| H2 | | REVISED PER ECO-11-004917 | 11MAR11 | RK | HMR |

1 MATERIAL: BODY - COPPER ALLOY
BAND - BeCu

2 FINISH: BODY AND BAND - .0002 IN. SILVER
OVER .00004 IN. NICKEL.

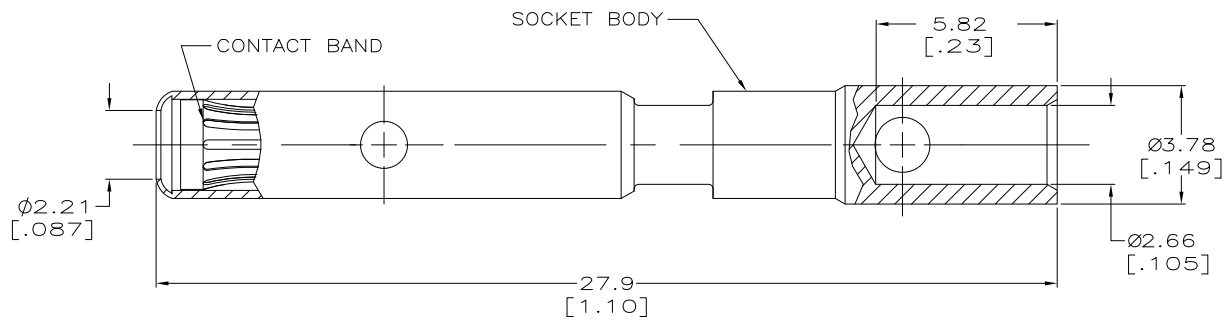
3. WIRE BARREL WILL ACCEPT 12-14 AWG WIRE.

4. MATES WITH AMP PART NUMBER 193841-1.

5 FINISH: BODY - 30 μIN GOLD MIN. OVER 50 μIN
NICKEL MIN. BAND- GOLD

6 FINISH: BODY AND BAND -
AT MINIMUM, HARD GOLD FLASH OVER 40 μINCHES
80-20 Pd/Ni OVER 100 μINCHES NICKEL.

7. ALL DIMENSIONS ARE REFERENCE.



| | | |
|----------|---|----------|
| | 6 | 193842-3 |
| OBSOLETE | 5 | 193842-2 |
| | 4 | 193842-1 |
| FINISH | | PART NO. |

| | | | | | |
|---|--|-----------------------|-----------|----------------------------|--------------------|
| THIS DRAWING IS A CONTROLLED DOCUMENT. | | DWN C. M. SVOBODA | 03-18-94 | STE TE Connectivity | |
| DIMENSIONS: mm [INCHES] | | CHK - | APVD - | | |
| TOLERANCES UNLESS OTHERWISE SPECIFIED: | | PRODUCT SPEC - | | SIZE A3 | CAGE CODE 00779 |
| 0 PLC ± - | | APPLICATION SPEC - | | DRAWING NO C-193842 | RESTRICTED TO - |
| 1 PLC ± - | | WEIGHT - | | CUSTOMER DRAWING | SCALE - |
| 2 PLC ± - | | MATERIAL 1 | | SHEET 1 of 1 | REV H2 |
| 3 PLC ± - | | FINISH - | | | |
| 4 PLC ± - | | | | | |
| ANGLES ± - | | | | | |

1470-19 (3/11)