

4

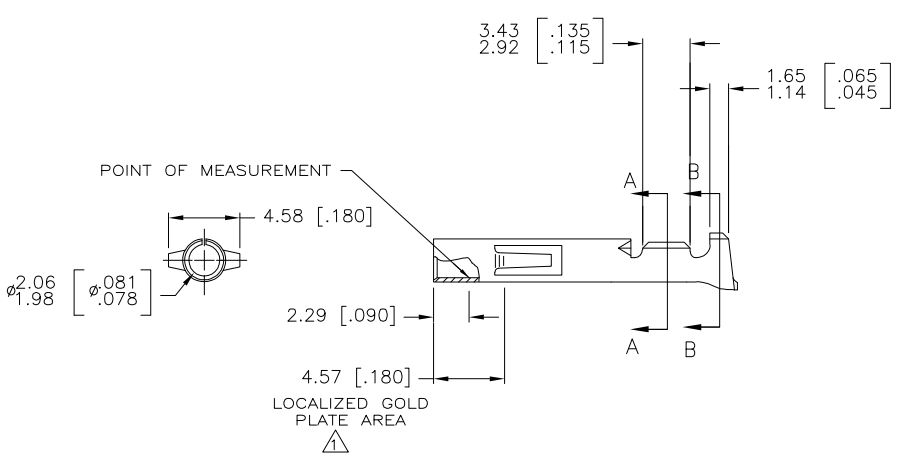
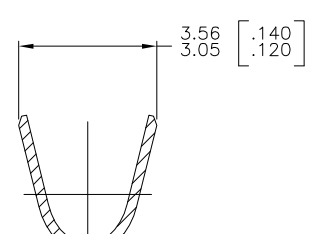
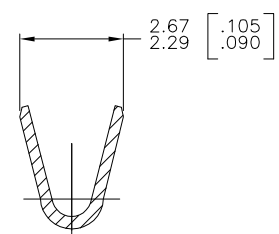
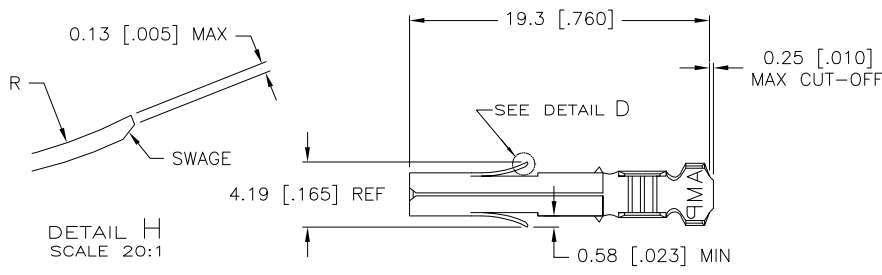
3

2

1

THIS DRAWING IS UNPUBLISHED. RELEASED FOR PUBLICATION
 © COPYRIGHT - BY TYCO ELECTRONICS CORPORATION. ALL RIGHTS RESERVED.

LOC		DIST		REVISIONS			
P	LTR	DESCRIPTION		DATE	DWN	APVD	
G1		REVISED PERECO-07-005530		14MAR07	KW	DS	



- 1 0.00076 [.000030] THICK GOLD OVER NICKEL ON INSIDE OF RECEPTACLE AND WIRE BARREL AND REMAINDER OF CONTACT IS NICKEL PLATED.
- 2. 24 -18 AWG.
- 3. 2.54 [.100] DIA MAX.

1	GOLD	0.3 [.012] BRASS	640347-2
	PRE-TIN	0.3 [.012] BRASS	640347-1
	FINISH	MATERIAL	PART NUMBER

METRIC

THIS DRAWING IS A CONTROLLED DOCUMENT.		DWN K. WHITAKER 14MAR2007	Tyco Electronics Corporation Harrisburg, PA 17105-3608	
DIMENSIONS: mm [INCHES]		CHK D. COLEY 14MAR2007	NAME D. COLEY	
TOLERANCES UNLESS OTHERWISE SPECIFIED:		APVD D. COLEY 14MAR2007	PRODUCT SPEC SOCKET, MATE-N-LOK(TM), LOOSE PIECE	
0 PLC ± -	1 PLC ± -	APPLICATION SPEC	SIZE A3	CAGE CODE 00779
2 PLC ± 0.13 [.005]	3 PLC ± -	WEIGHT	DRAWING NO C-640347	RESTRICTED TO
4 PLC ± -	ANGLES ± 0° 30'	CUSTOMER DRAWING	SCALE 4:1	SHEET 1 OF 1
MATERIAL	FINISH		REV G1	

AMP 1470-19 REV 31MAR2000