

4

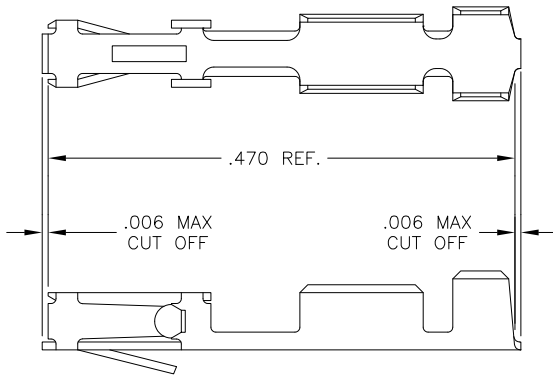
3

2

1

THIS DRAWING IS UNPUBLISHED. RELEASED FOR PUBLICATION
 © COPYRIGHT - By - ALL RIGHTS RESERVED.

LOC	DIST	REVISIONS			
P	LTR	DESCRIPTION	DATE	DWN	APVD
B1		REVISED PER ECO-11-004820	11MAR11	RK	HMR



1. WIRE RANGE: #20-#24
2. INSULATION RANGE: .069 MAX. DIA.
3. FOR SECTIONS AND ADDITIONAL DIMENSIONS SEE AMP CUSTOMER DRAWING#85969

OBsolete	86016-6	GOLD FLASH OVER .000050 NICKEL ENTIRE CONTACT,.000050 GOLD IN CONTACT AREA
	86016-5	GOLD FLASH OVER .000050 NICKEL ENTIRE CONTACT,.000015 GOLD IN CONTACT AREA
	86016-4	.000050 GOLD OVER .000050 NICKEL
	86016-3	PREPLATED:(HALT).000078-.000158 BRIGHT TIN
	86016-2	GOLD FLASH OVER .000050 NICKEL ENTIRE CONTACT,.000030 GOLD IN CONTACT AREA
	86016-1	.000030 GOLD OVER .000050 NICKEL
	PART NUMBER	FINISH

THIS DRAWING IS A CONTROLLED DOCUMENT.		DWN	E.C. CLAYBAUGH	TE Connectivity	
DIMENSIONS: INCHES		CHK	-	NAME	
		APVD	-	RECEPTACLE CONTACT, MOD IV CRIMP SNAP-IN LOOSE PIECE	
TOLERANCES UNLESS OTHERWISE SPECIFIED: 0 PLC ± - 1 PLC ± - 2 PLC ± - 3 PLC ± - 4 PLC ± - ANGLES ± -		PRODUCT SPEC	-	SIZE	A3
MATERIAL	BERYLLIUM COPPER	APPLICATION SPEC	-	CAGE CODE	00779
FINISH		WEIGHT	-	DRAWING NO	C-86016
		CUSTOMER DRAWING		RESTRICTED TO	-
		SCALE	10:1	SHEET	1 of 1
				REV	B1