

4

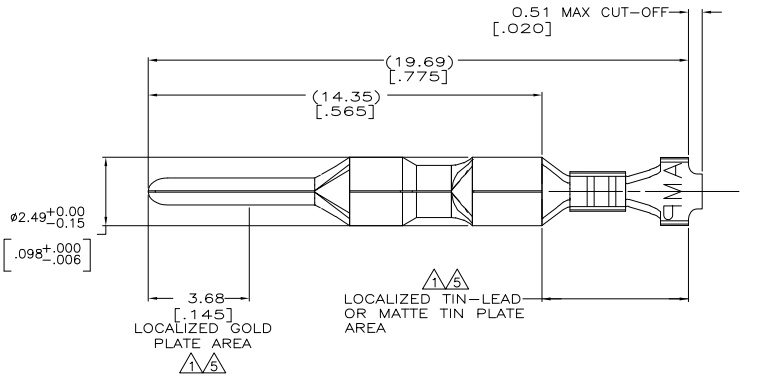
3

2

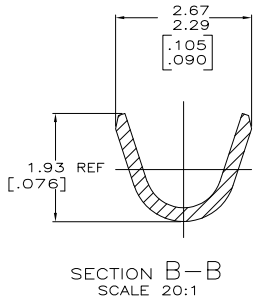
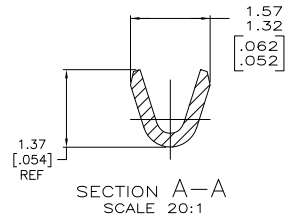
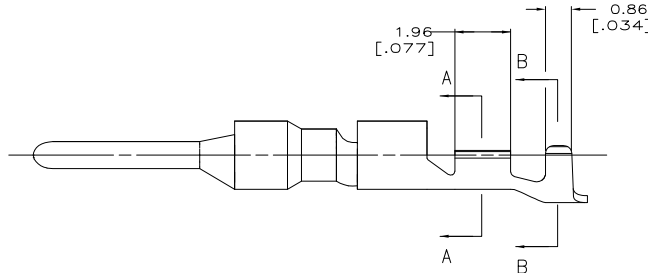
1

THIS DRAWING IS UNPUBLISHED. RELEASED FOR PUBLICATION  
 © COPYRIGHT BY TYCO ELECTRONICS CORPORATION. ALL RIGHTS RESERVED.

LOC	DIST	REVISIONS					
CM	0	P	LR	DESCRIPTION	DATE	MIN	APD
		D		REVISED PER 0638-0237-05	9/20/05	SS	CJ



- 1. 0.00076 [.000030] MIN GOLD IN LOCALIZED GOLD PLATE AREA AND 0.00254 [.000100] MIN BRIGHT TIN-LEAD IN LOCALIZED TIN-LEAD PLATE AREA OVER 0.0013 [.000050] MIN NICKEL.
- 2. WIRE RANGE: 0.05 - 0.15MM<sup>2</sup> (30-26 AWG).
- 3. INSULATION RANGE: 0.89-1.27 [.035-.050] DIA.
- 4. DIMENSIONS IN BRACKETS ARE IN INCHES.
- 5. 0.00076 [.000030] MIN GOLD IN LOCALIZED GOLD PLATE AREA AND 0.00254 [.000100] MIN MATTE TIN IN LOCALIZED TIN PLATE AREA OVER 0.0013 [.000050] MIN NICKEL.



△	0.25[.010] BRASS	1-794224-0
△	0.25[.010] BRASS	794224-3
PRE-TIN	0.25[.010] BRASS	794224-1
MATERIAL	MATERIAL	PART NUMBER

THIS DRAWING IS A CONTROLLED DOCUMENT:		MIN	1-15-97	Tyco Electronics Corporation	
DIMENSIONS:	mm [INCHES]	R_VESTAL	1-15-97	Harrisburg, PA 17105-3608	
TO MANUFACTURE:	TO MANUFACTURE:	SWING	1-15-97	PIN, LOOSE PIECE, MINI UNIVERSAL MATE-N-LOK 2	
0 PLC ±	0 PLC ±	PRODUCT SPEC		SIZE	CAGE CODE
1 PLC ±	1 PLC ±	APPLICATION SPEC		A2	00779
2 PLC ±	2 PLC ±	WEIGHT		SCALE	10:1
3 PLC ±	3 PLC ±	FINISH		SHEET	1 of 1
4 PLC ±	4 PLC ±	ANGLE		REV	D
MATERIAL	SEE TABLE	FINISH		CUSTOMER DRAWING	

AMP 1471-9 REV 31MAR2000

794224

A