

4

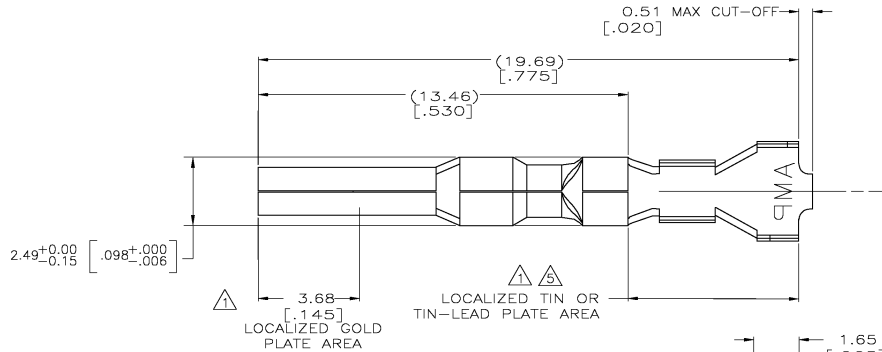
3

2

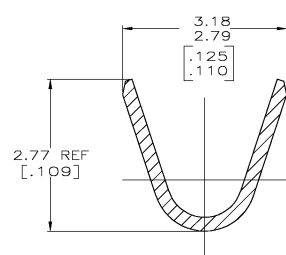
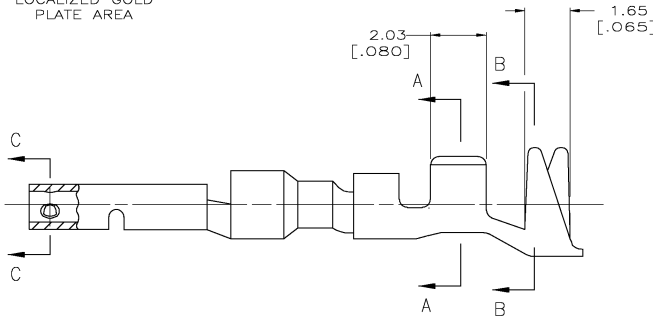
1

THIS DRAWING IS UNPUBLISHED. RELEASED FOR PUBLICATION. BY TYCO ELECTRONICS CORPORATION. ALL RIGHTS RESERVED.

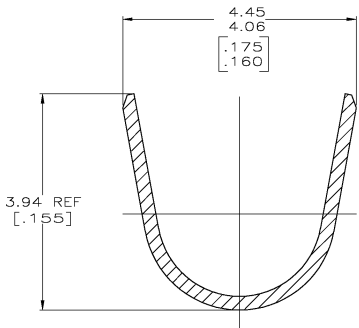
LOC	DISP	REV	DESCRIPTION	DATE	BY	APP'D
CM	00	P	LTR			
		D	REVISED PER EC 0638-0387-03	21MAY03	SC	CJ



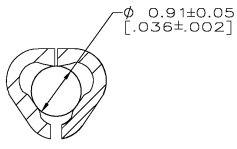
- △ 0.00076[0.00030] MIN. GOLD IN LOCALIZED GOLD PLATE AREA AND 0.00254-0.00635[0.00100-0.00250] BRIGHT TIN-LEAD IN LOCALIZED TIN-LEAD PLATE AREA OVER 0.00127[0.00050] MIN. NICKEL.
- 2. WIRE RANGE: 0.5-1.4MM<sup>2</sup> (20-16 AWG).
- 3. INSULATION RANGE: 2.01-3.20[0.079-.126] DIA.
- 4. DIMENSIONS IN BRACKETS ARE IN INCHES.
- △ 0.00076[0.00030] MIN. GOLD IN LOCALIZED GOLD PLATE AREA AND 0.00254-0.00635[0.00100-0.00250] BRIGHT TIN IN LOCALIZED TIN PLATE AREA OVER 0.00127[0.00050] MIN. NICKEL.



SECTION A-A SCALE 20:1



SECTION B-B SCALE 20:1



SECTION C-C SCALE 20:1

△	0.25[.010] BRASS	1-794231-0
△	0.25[.010] BRASS	794231-3
PRE-TIN	0.25[.010] BRASS	794231-1

THIS DRAWING IS A CONTROLLED DOCUMENT.

DESIGNED BY: S. CARPENTER	DATE: 21MAY2003		Tyco Electronics Corporation
DRAWN BY: C. JONES	DATE: 21MAY2003		Harrisburg, PA 17105
CHECKED BY: C. JONES	DATE: 21MAY2003	NAME:	SOCKET, TM
APPROVED BY:			MINI UNIVERSAL MATE-N-LOK 2
MATERIAL: SEE TABLE	FINISH: SEE TABLE	WEIGHT:	RESTRICTED TO:
		A2 00779	794231
		CUSTOMER DRAWING	SCALE: 10:1 SHEET 1 OF 1 REV D

794231