

4

3

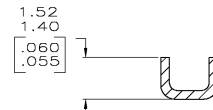
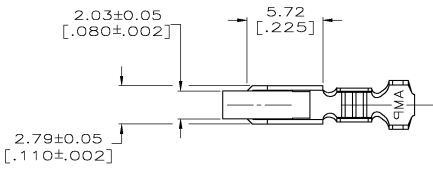
2

1

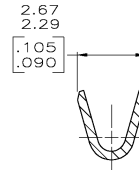
THIS DRAWING IS UNPUBLISHED. RELEASED FOR PUBLICATION
 © COPYRIGHT BY TYCO ELECTRONICS CORPORATION. ALL RIGHTS RESERVED.

LOC	DIST	REVISIONS			
P	LN	DESCRIPTION	DATE	BY	APPD
C		REV PER ECN 0038-0383-03	21AUG03	SC	JE

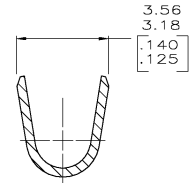
- 1. 0.00203 [.000080] MIN BRIGHT TIN-LEAD OVER 0.00127 [.000050] MIN NICKEL.
- 2. WIRE RANGE: 0.2-0.9mm² (24-18 AWG). INSULATION RANGE: 2.79 [.110] DIA MAX.
- 3. DIMENSIONS IN BRACKETS ARE IN INCHES.
- △ 0.00203 [.000080] MIN BRIGHT TIN OVER 0.00127 [.000050] MIN NICKEL.



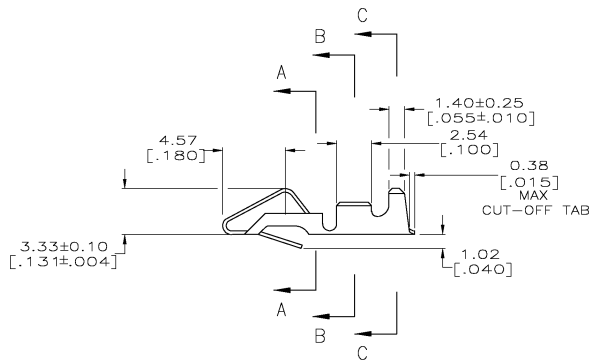
SECTION A-A
SCALE 10:1



SECTION B-B
SCALE 10:1



SECTION C-C
SCALE 10:1



△	3-640707-1
△	640707-1
FINISH	PART NO



THIS DRAWING IS A CONTROLLED DOCUMENT.		DR: S. CARPENTER 21AUG2003	Tyco Electronics Corporation Harrisburg, PA 17105
DIMENSIONS: INCHES		CHK: J. ELLIS 21AUG2003	
TOLERANCES UNLESS OTHERWISE SPECIFIED:		APPD: J. ELLIS 21AUG2003	RECEPTACLE, SL-156, LOOSE PIECE
Ø PLG ± .010		NAME: J. ELLIS	
PLG ± .013 [.005]		APPLICATION SPEC:	SIZE: A2
MATERIAL: 0.33 [.013] BRASS		FINISH: SEE TABLE	CAGE CODE: 00779
			DRAWING NO: C-640707
			RESTRICTED TO: -
			CUSTOMER DRAWING
			SCALE: 5:1
			SHEET: 1 OF 1
			REV: C

H:\DMMod\