

4

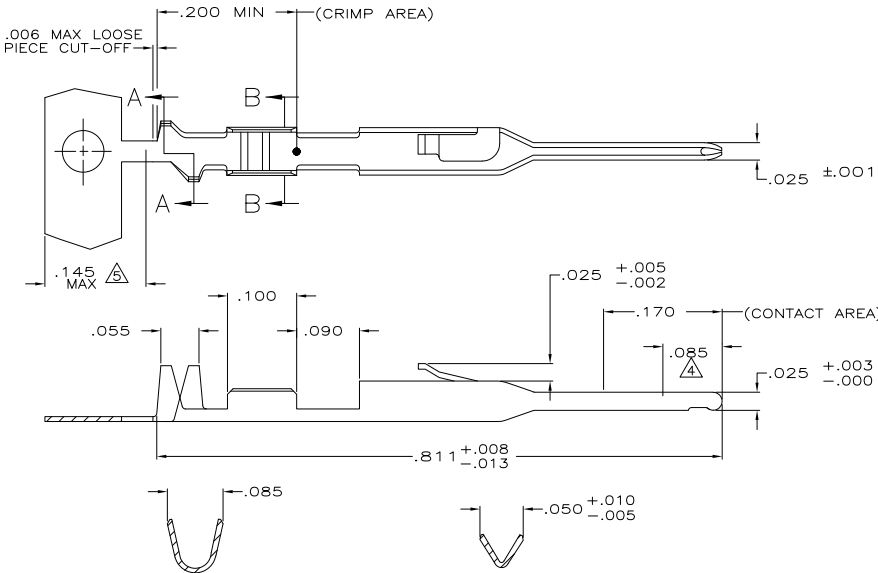
3

2

1

THIS DRAWING IS UNPUBLISHED. RELEASED FOR PUBLICATION. ALL RIGHTS RESERVED.

LOC	DIST	REVISIONS		
AD	00	P	LTR	DATE
		H1	REVISED PER ECO-11-004917	11MAR11
				RK HMR



SECTION A-A
INSULATION RANGE .054 MAX

SECTION B-B
WIRE RANGE #28-#32

- 1 .000100-.000200 BRIGHT TIN-LEAD OVER .000030 NICKEL ENTIRE CONTACT
- 2 .000015 GOLD IN CONTACT AREA, .000050-.000100 BRIGHT TIN-LEAD IN CRIMP AREA, ALL OVER .000030 NICKEL ENTIRE CONTACT
- 3 .000030 GOLD IN CONTACT AREA, .000050-.000100 BRIGHT TIN-LEAD IN CRIMP AREA, ALL OVER .000030 NICKEL ENTIRE CONTACT
- 4 POINT OF MEASUREMENT FOR PLATING THICKNESS
- 5 GOLD PLATING NOT REQUIRED IN THIS AREA
- 6 .000015 GOLD IN CONTACT AREA, .000050-.000100 BRIGHT TIN IN CRIMP AREA, ALL OVER .000030 NICKEL ENTIRE CONTACT.
- 7 PRELIMINARY PART - NOT RELEASED FOR PRODUCTION.
- 8 .000100-.000200 BRIGHT TIN OVER .000030 NICKEL ENTIRE CONTACT.
- 9 .000100-.000200 MATTE TIN OVER .000030 NICKEL ENTIRE CONTACT.
- 10 .000015 GOLD IN CONTACT AREA, .000050-.000100 MATTE TIN IN CRIMP AREA, ALL OVER .000030 NICKEL ENTIRE CONTACT
- 11 .000030 GOLD IN CONTACT AREA, .000050-.000100 MATTE TIN IN CRIMP AREA, ALL OVER .000030 NICKEL ENTIRE CONTACT

1	5-104506-7	5-104506-6
2	5-104506-5	5-104506-4
3	5-104506-3	5-104506-2
4	1-104506-1	1-104506-0
5	104506-9	104506-8
6	104506-7	104506-6
7	104506-5	104506-4
8	104506-3	104506-2
FINISH	LOOSE PIECE PART NUMBER	PART NUMBER

THIS DRAWING IS A CONTROLLED DOCUMENT.

DESIGNER: D. KEITZER	DATE: 12-14-08
CHK: S. SHUEY	DATE: 12-15-08
APP: C. SINISI	DATE: 12-16-08
PRODUCT SPEC: ---	APPLICATION SPEC: ---
WEIGHT: ---	SIZE: A2
MATERIAL: PHOS BRONZE	FINISH: SEE TABLE
CUSTOMER DRAWING	

TE Connectivity
PIN, AMP/Modu, MTE

SIZE: A2, CASE CODE: C=104506, DRAWING NO: 104506, RESTRICTED TO: ---

SCALE: 10:1, SHEET: 1 of 1, REV: H1