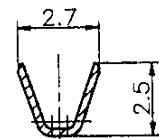
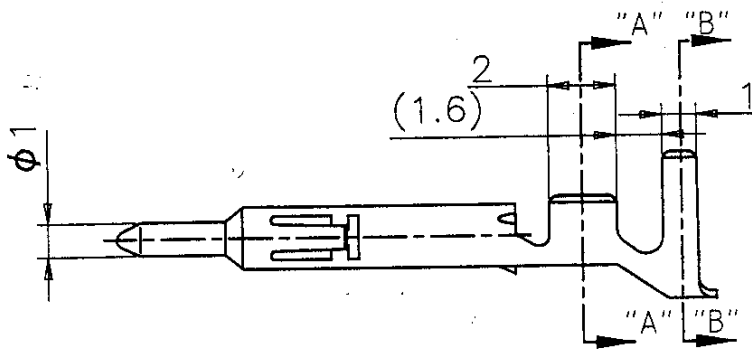
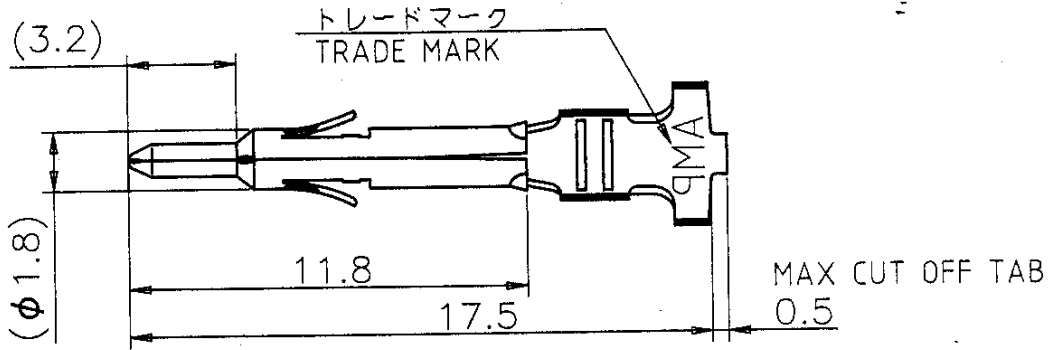
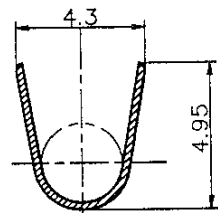


THIS DRAWING IS A CONTROLLED DOCUMENT.

LOC	DIST	REVISIONS					
		P	LTR	DESCRIPTION	DATE	DWN	APVD
		B1		REVISED PER ECO-11-005030	22MAR11	RK	HMR



SECT A-A



SECT B-B

注記)

1. 使用ハウジングはキャップ及びプラグ
2. 製品規格 108-5138, 108-5151
3. 取付適用規格 114-5050
4. 取扱説明書 411-5105

NOTES)

1. APPLICABLE HOUSING; CAP AND PLUG
2. PRODUCT SPECIFICATION 108-5138, 108-5151
3. APPLICATION SPECIFICATION 114-5050
4. INSTRUCTION SHEET 411-5105

RELEASED FOR PUBLICATION

ALL RIGHTS RESERVED.

THIS DRAWING IS UNPUBLISHED.

COPYRIGHT

171638-1
型番 (PART NO.)

DIMENSIONS: 単位 MM	DWN <i>A.O. Ishi</i> 16 FEB '00	WIRE RANGE 線径範囲 0.5-1.3mm <sup>2</sup> AWG #20-16	INSULATION DIA 被覆外径 2.0-3.2mm DIA 2.4mm DIA X2		
	CHK <i>M.S.L.</i> 16 FEB '00	MATERIAL 材料 黄銅 (BRASS): 0.25t	FINISH 仕上 PRE-TIN		
TOLERANCES UNLESS OTHERWISE SPECIFIED: 一般公差	APVD <i>M.S.L.</i> 16 FEB '00	<b>TE</b> TE Connectivity			
± 0.3	PRODUCT SPEC 製品規格 表参照				
ANGLES ± 1°	APPLICATION SPEC 取付適用規格 表参照	NAME 名称 PIN (LOOSE PIECE) MINI UNIVERSAL MATE-N-LOK			
◎	SEE TABLE 2	SIZE	CAGE CODE	DRAWING NO	RESTRICTED TO
	SEE TABLE 3	A4	00779	C-171638	
CUSTOMER DRAWING		SCALE 尺貫 5:1	SHEET 1 OF 1	REV B1	

参考図面