

4

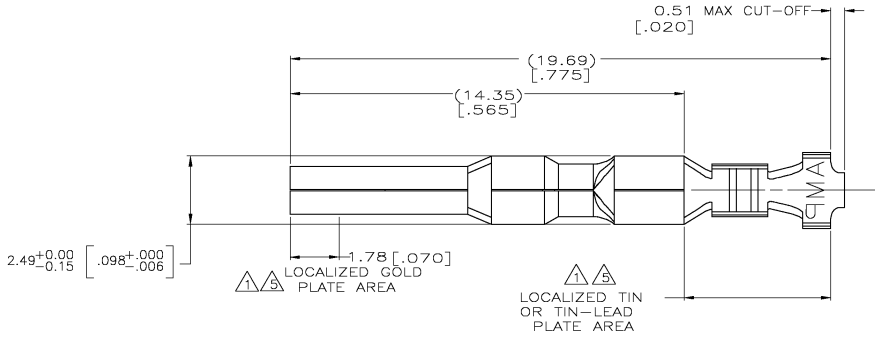
3

2

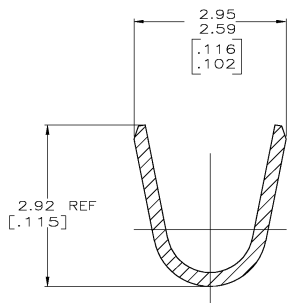
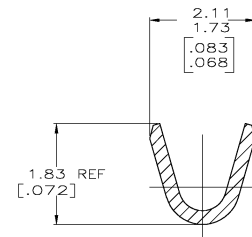
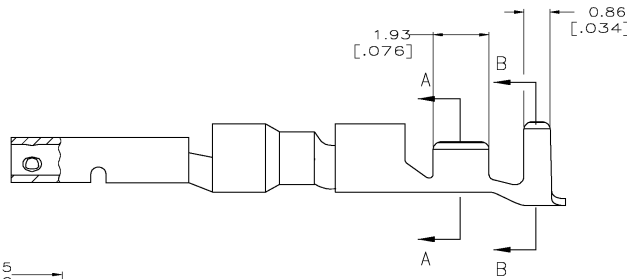
1

THIS DRAWING IS UNPUBLISHED. RELEASED FOR PUBLICATION
 © COPYRIGHT BY TYCO ELECTRONICS CORPORATION. ALL RIGHTS RESERVED.

LOC	DIST	REVISIONS		
F	LTR	DESCRIPTION	DATE	OWN
CM	00			
	E	REVISED PER EC 0638-0231-05	04MAR05	KW CJ



- 1. 0.00076 [0.00030] MIN GOLD IN LOCALIZED GOLD PLATE AREA AND 0.00254 [0.00100] MIN BRIGHT TIN-LEAD IN LOCALIZED TIN-LEAD PLATE AREA OVER 0.0013 [0.00050] MIN NICKEL.
- 2. WIRE RANGE: 0.12 - 0.4MM² (26-22 AWG).
- 3. INSULATION RANGE: 1.19-1.75 [.047-.069] DIA.
- 4. DIMENSIONS IN BRACKETS ARE IN INCHES.
- 5. 0.00076 [0.00030] MIN GOLD IN LOCALIZED GOLD PLATE AREA AND 0.00254 [0.00100] MIN MATTE TIN IN LOCALIZED TIN PLATE AREA OVER 0.0013 [0.00050] MIN NICKEL.
- 6. ROHS COMPLIANT.



5	0.25 [.010] BRASS	1-794227-0
1	0.25 [.010] BRASS	794227-3
	PRE-TIN	794227-1
	FINISH MATERIAL	PART NO

METRIC

THIS DRAWING IS A CONTROLLED DOCUMENT.		DRW K. WHITAKER 04MAR2005	Tyco Electronics Corporation Greensboro, NC 27409	
DIMENSIONS R. ORSTAD 1-15-97		CHK C. JONES 04MAR2005	APPROVED D. JONES 04MAR2005	
MATERIAL SEE TABLE		FINISH SEE TABLE	SIZE A2	CAGE CODE 00779
		DRAWING NO. 794227		RESTRICTED TO E
		CUSTOMER DRAWING		SCALE 10:1
		SHEET 1 OF 1		REV E

AMP 1471-9 REV 31MAR2000

794227

A