

4

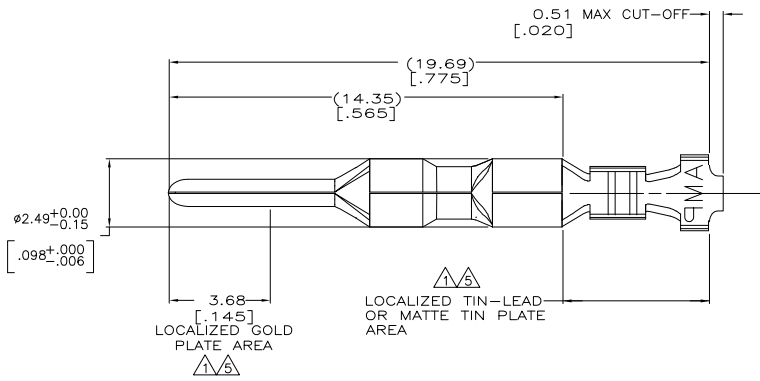
3

2

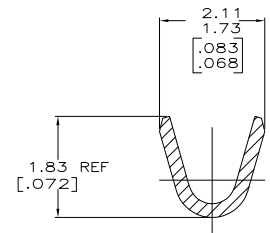
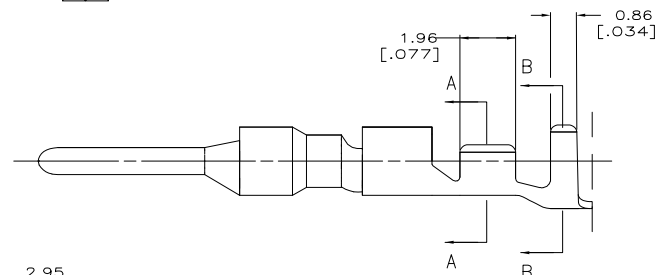
1

THIS DRAWING IS UNPUBLISHED. RELEASED FOR PUBLICATION
 © COPYRIGHT BY TYCO ELECTRONICS CORPORATION. ALL RIGHTS RESERVED.

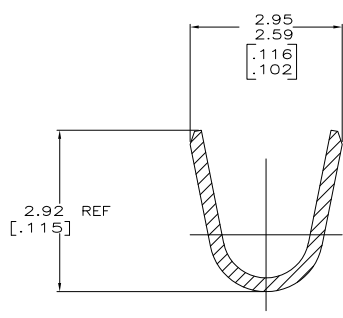
LOC	DIST	REVISIONS				
CM	0	P	LR	DATE	MIN	APD
		D		REVISED PER 0638-0237-05	9/21/05	SS CJ



- 1. Δ 0.00076 [0.00030] MIN GOLD IN LOCALIZED GOLD PLATE AREA AND 0.00254 [0.00100] MIN BRIGHT TIN-LEAD IN LOCALIZED TIN-LEAD PLATE AREA OVER 0.0013 [0.00050] MIN NICKEL.
- 2. WIRE RANGE: 0.12 - 0.4MM2 (26-22 AWG).
- 3. INSULATION RANGE: 1.19-1.75[.047-.069] DIA.
- 4. DIMENSIONS IN BRACKETS ARE IN INCHES.
- 5. Δ 0.00076 [0.00030] MIN GOLD IN LOCALIZED GOLD PLATE AREA AND 0.00254 [0.00100] MIN MATTE TIN IN LOCALIZED TIN PLATE AREA OVER 0.0013 [0.00050] MIN NICKEL.



SECTION A-A
SCALE 20:1



SECTION B-B
SCALE 20:1

Δ	0.25[.010] BRASS	1-794226-0
Δ	0.25[.010] BRASS	794226-3
PRE-TIN	0.25[.010] BRASS	794226-1
FINISH	MATERIAL	PART NUMBER

THIS DRAWING IS A CONTROLLED DOCUMENT.		REV. R_VESTAL 1-15-97	Tyco Electronics Corporation Harrisburg, PA 17105-3608	
DIMENSIONS: mm [INCHES]	TO MANUFACTURER'S DIMENSIONS UNLESS SPECIFIED	CHK. R_SWING 1-15-97	PIN, LOOSE PIECE, MINI UNIVERSAL MATE-N-LOK 2	
0 PLC ±		APPD. -	SIZE	CAGE CODE DRAWING NO.
1 PLC ±		PRODUCT SPEC. -	A2	00779 C=794226
2 PLC ±		APPLICATION SPEC. -	RESTRICTED TO	
3 PLC ±	0.15 [006]	WEIGHT -	CUSTOMER DRAWING	SCALE 10:1 SHEET 1 of 1 REV D
4 PLC ±		FINISH -		
MATERIAL SEE TABLE	SEE TABLE			

AMP 1471-9 REV 31MAR2000

794226