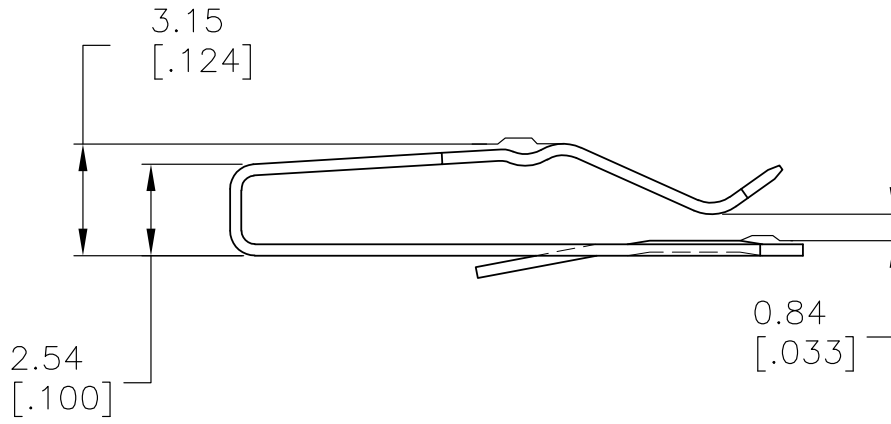
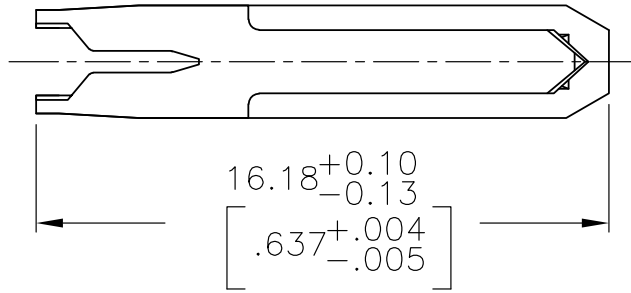
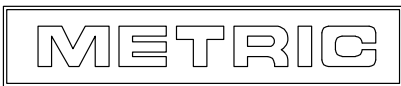


LOC	DIST	REVISIONS					
CM	00	P	LTR	DESCRIPTION	DATE	DWN	APVD
		G		ECO-07-025576	29OCT07	KW	DB



TIN	640632-3
FINISH	PART NO

MATERIAL	FINISH
0.3 (.012) THK COPPER ALLOY	MATTE TIN 0.00203(.000080) MIN THK



THIS DRAWING IS UNPUBLISHED. ALL RIGHTS RESERVED. BY TYCO ELECTRONICS CORPORATION.

DIMENSIONS: mm [INCHES]	DWN	25OCT2005	MATERIAL	FINISH			
	BSV		-	-			
TOLERANCES UNLESS OTHERWISE SPECIFIED:	CHK	25OCT2005	Tyco Electronics Corporation Harrisburg, PA 17105-3608				
	BSV						
0 PLC ± - 1 PLC ± - 2 PLC ± - 3 PLC ± .13 (.005) 4 PLC ± - ANGLES ± -	APVD	25OCT2005	NAME CONTACT, 20 AWG WIRE, LOOSE PIECE, MTA 156				
	D. BOSSI						
	PRODUCT SPEC	-	SIZE	CAGE CODE	DRAWING NO	RESTRICTED TO	
	APPLICATION SPEC	-	A4	00779	©-640632	-	
	WEIGHT	-	CUSTOMER DRAWING		SCALE	SHEET	REV
					5:1	1 of 1	G