

4

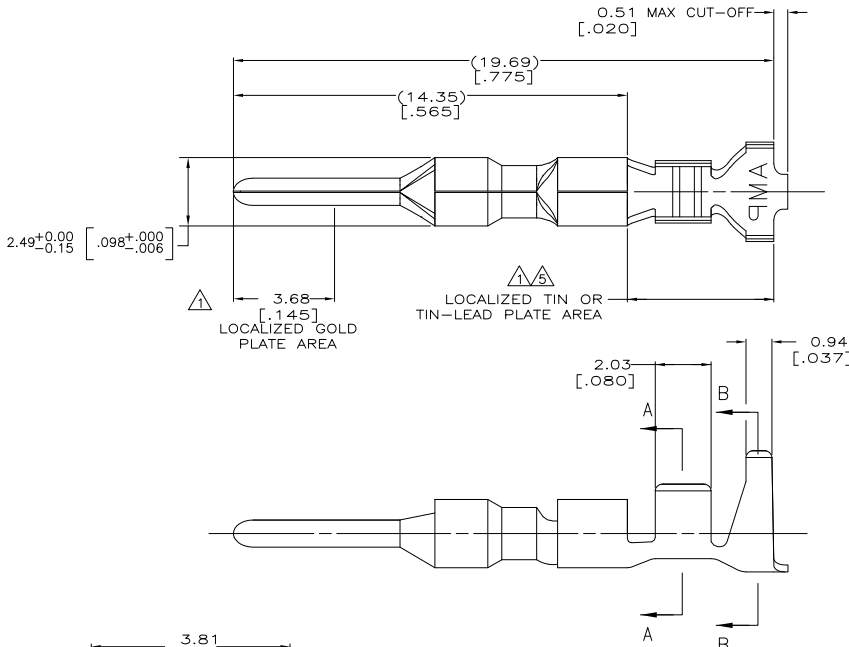
3

2

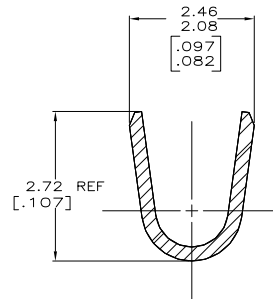
1

THIS DRAWING IS UNPUBLISHED. RELEASED FOR PUBLICATION
 © COPYRIGHT - By - ALL RIGHTS RESERVED.

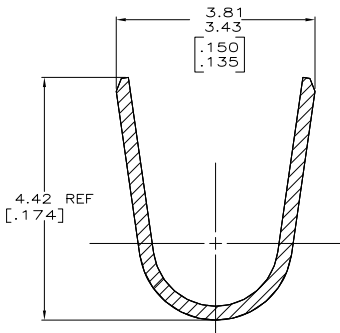
LOC		DIBT		REVISIONS			
P	LR	DESCRIPTION	DATE	BY	APPD		
E1		REVISED PER ECO-11-004917	11MAR11	RK	HMR		



- 1. 0.00076 [.000030] MIN GOLD IN LOCALIZED GOLD PLATE AREA AND 0.00254 [.000100] MIN BRIGHT TIN-LEAD IN LOCALIZED TIN-LEAD PLATE AREA OVER 0.0013 [.000050] MIN NICKEL.
- 2. WIRE RANGE: 0.3 - 0.9MM² (22-18 AWG).
- 3. INSULATION RANGE: 1.50-2.79 [.059-.110] DIA.
- 4. DIMENSIONS IN BRACKETS ARE IN INCHES.
- 5. 0.00076 [.000030] MIN GOLD IN LOCALIZED GOLD PLATE AREA AND 0.00254 [.000100] MIN BRIGHT TIN IN LOCALIZED TIN PLATE AREA OVER 0.0013 [.000050] MIN NICKEL.



SECTION A-A
SCALE 20:1



SECTION B-B
SCALE 20:1

GOLD	0.25 [.010]	BRASS	1-794228-0
GOLD	0.25 [.010]	BRASS	794228-3
PRE-TIN	0.25 [.010]	BRASS	794228-1
FINISH		MATERIAL	PART NUMBER

THIS DRAWING IS A CONTROLLED DOCUMENT.		DWG. S. CARPENTER 11AUG2003		TE Connectivity	
DIMENSIONS: INCHES		CHK. C. JONES 11AUG2003	NAME		PIN, LOOSE PIECE, MINI UNIVERSAL MATE-N-LOK 2
OTHER DIMENSIONS: METRIC		APP. C. JONES 11AUG2003	PRODUCT SPEC		
MATERIAL: SEE TABLE		APPLICATION SPEC		SIZE: A2	CAGE CODE: 00779
FINISH: SEE TABLE		WEIGHT		DRAWING NO: C=794228	
		CUSTOMER DRAWING		SCALE: 10:1	SHEET: 1 of 1

1471-9 (3/11)

2D

794228

A