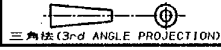


REV. 10/79

PRINT DIST

U.855-111)U.DWG)S.C89-25173 WAS 91-25168-22,24,25
 単位: ㎜ DIMENSIONS IN MM. DO NOT SCALE PRINT

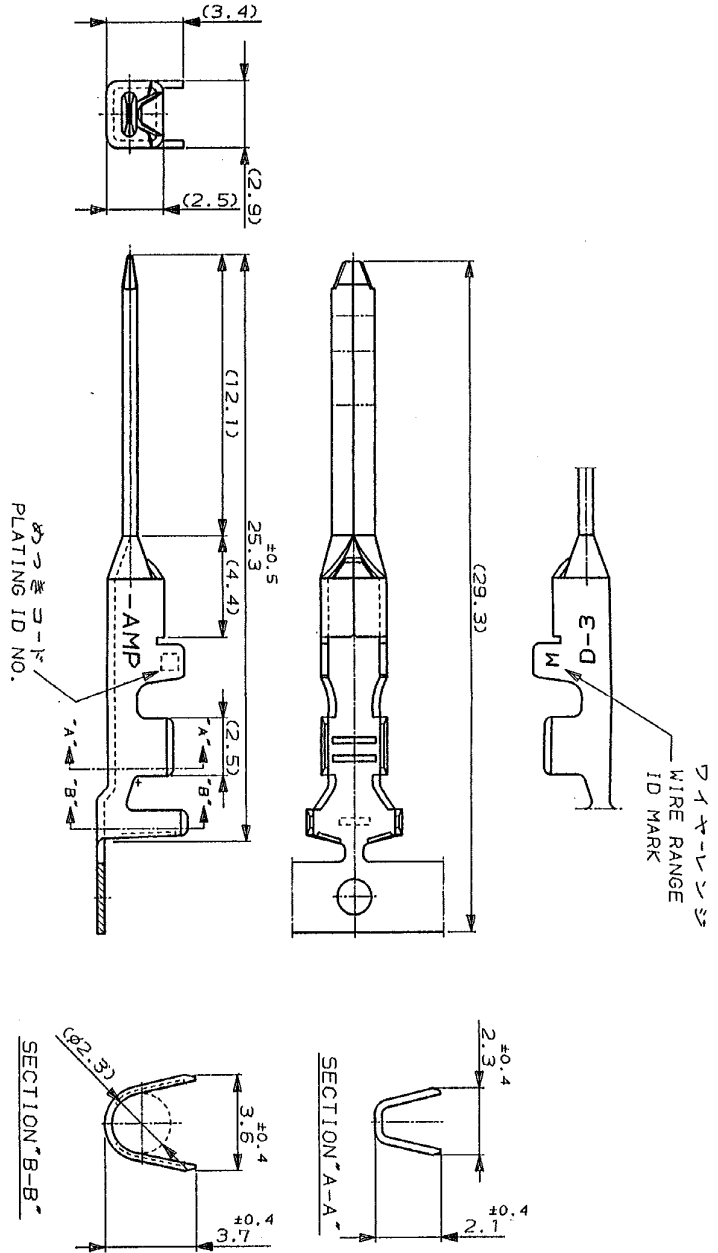
METRIC



NUMBER
C-175285

NOTE
 △ GOLD-PL. CONTACT AREA ONLY

注記
 △ 金めっきは接触部のみとする



RELEASED (E-CM)	NY	3-5
REVISION RECORD	DR	CHK

5	光沢鍍めつき (BRIGHT TIN-PL.)	0.75μm最小めつき (0.75μmMIN. Au-PL.)	175285-2
3	光沢鍍めつき (BRIGHT TIN-PL.)	0.38μm最小めつき (0.38μmMIN. Au-PL.)	175285-2
2	仕上 (FINISH)	仕上 (FINISH)	型番 (P/N)

(CUSTOMER DRAWING) 参考面

AMP

Copyright © 1991 AMP Corporation, Ltd. ALL RIGHTS RESERVED.
 DYNAMIC D-3 SERIES TAB. CONTACT
 SIZE D-3 (1) - 2
 C-175285
 SHEET 1 OF 1