

4

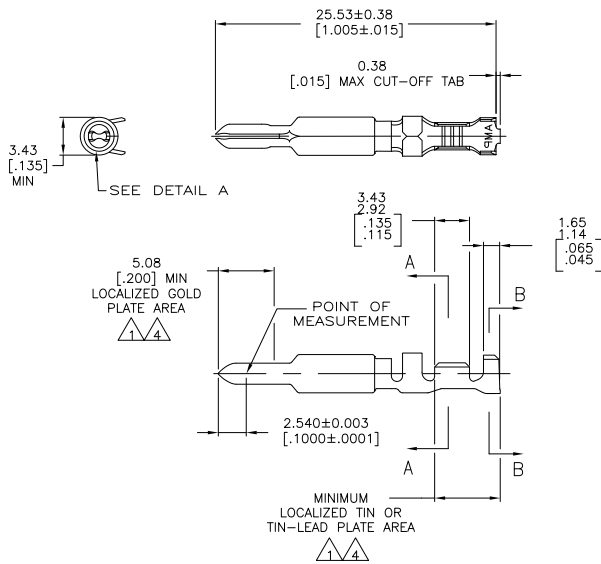
3

2

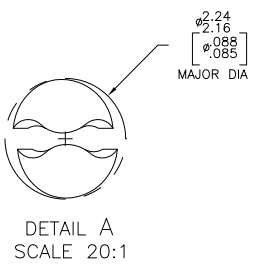
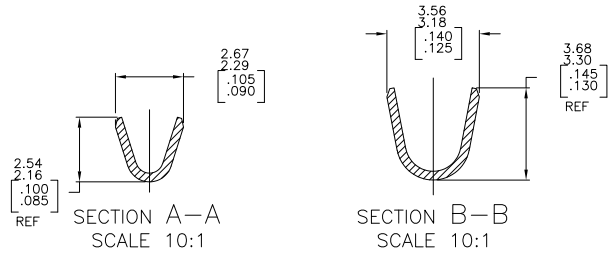
1

THIS DRAWING IS UNPUBLISHED. RELEASED FOR PUBLICATION
 © COPYRIGHT - By - ALL RIGHTS RESERVED.

LOC	DIST	REVISIONS			
F	LNK	DESCRIPTION	DATE	BY	APPD
CM	00				
	F1	REVISED PER ECO-11-005027	11MAR11	RK	HMR



- 1. 0.00076[.000030] MIN GOLD AT POINT OF MEASUREMENT IN THE LOCALIZED GOLD PLATE AREA, 0.00127[.000050] MIN TIN-LEAD IN TIN-LEAD PLATE AREA, 0.00127[.000050] MIN NICKEL UNDERPLATE ON ENTIRE CONTACT.
- 2. WIRE RANGE: 0.2-1mm² [24-18 AWG]. INSULATION RANGE: 1.02-2.54 [.040-.100] DIA.
- 3. DIMENSIONS IN BRACKETS ARE IN INCHES.
- 4. 0.00076[.000030] MIN GOLD AT POINT OF MEASUREMENT IN THE LOCALIZED GOLD PLATE AREA, 0.00127[.000050] MIN TIN IN TIN PLATE AREA, 0.00127[.000050] MIN NICKEL UNDERPLATE ON ENTIRE CONTACT.



GOLD	0.30	[.012]	BRASS	1-770252-0
GOLD	0.30	[.012]	BRASS	770252-2
PRE-TIN	0.30	[.012]	BRASS	770252-1
FINISH	MATERIAL		PART NUMBER	

THIS DRAWING IS A CONTROLLED DOCUMENT.

DIMENSIONS:	mm [INCHES]	TOLERANCES UNLESS OTHERWISE SPECIFIED:	0 PLG ± .015 [0.05]	1 PLG ± .015 [0.05]	2 PLG ± .015 [0.05]	3 PLG ± .015 [0.05]	4 PLG ± .015 [0.05]	ANGLES ± # 30°
MATERIAL:		FINISH:						

DRN: K. WHITAKER 30SEP04
 CRK: C. JONES 30SEP04
 C. JONES 30SEP04
 NAME: C. JONES
 PRODUCT SPEC: --
 APPLICATION SPEC: --
 WEIGHT: --

TE Connectivity
 PIN, LOOSE PIECE,
 UNIVERSAL MATE-N-LOK(TM) II

SIZE: A2 CASE CODE: C=770252 DRAWING NO: --
 CUSTOMER DRAWING SCALE: 4:1 SHEET: 1 of 1 REV: F1

