

4

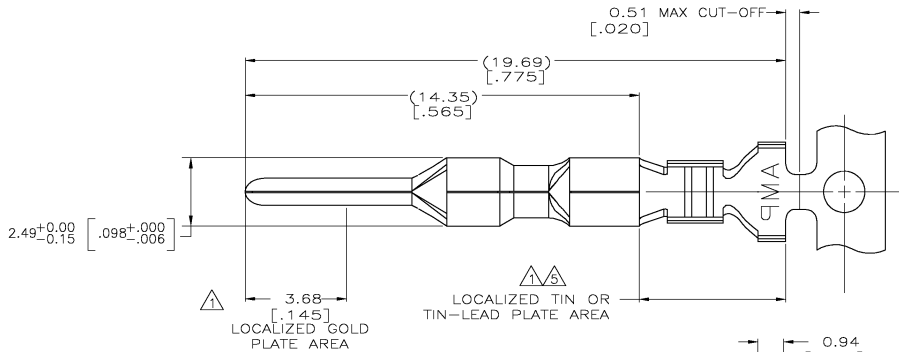
3

2

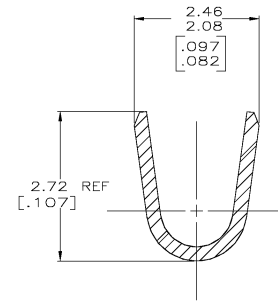
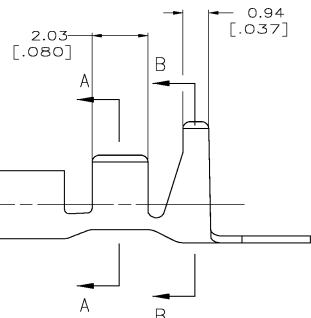
1

THIS DRAWING IS UNPUBLISHED. RELEASED FOR PUBLICATION
 © COPYRIGHT BY TYCO ELECTRONICS CORPORATION. ALL RIGHTS RESERVED.

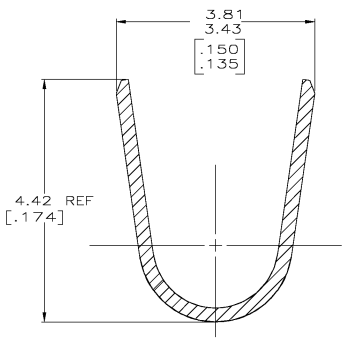
LOC	DIST	REVISIONS					
CM	00	P	LN	DESCRIPTION	DATE	BY	APPD
		F		REV PER ECN 0038-0514-03	11AUG03	SC	CJ



- 1. 0.00076 [0.00030] MIN GOLD IN LOCALIZED GOLD PLATE AREA AND 0.00254 [0.00100] MIN BRIGHT TIN-LEAD IN LOCALIZED TIN-LEAD PLATE AREA OVER 0.0013 [0.00050] MIN NICKEL.
- 2. WIRE RANGE: 0.3 - 0.9MM² (22-18 AWG).
- 3. INSULATION RANGE: 1.50-2.39[.059-.094] DIA.
- 4. DIMENSIONS IN BRACKETS ARE IN INCHES.
- 5. 0.00076 [0.00030] MIN GOLD IN LOCALIZED GOLD PLATE AREA AND 0.00254 [0.00100] MIN BRIGHT TIN IN LOCALIZED TIN PLATE AREA OVER 0.0013 [0.00050] MIN NICKEL.



SECTION A-A
SCALE 20:1



SECTION B-B
SCALE 20:1

FINISH	MATERIAL	PART NUMBER
GOLD	0.25 [.010] BRASS	1-794220-0
GOLD	0.25 [.010] BRASS	794220-3
PRE-TIN	0.25 [.010] BRASS	794220-1

THIS DRAWING IS A CONTROLLED DOCUMENT.		DW: S. CARPENTER 11AUG2003 CHK: C. JONES 11AUG2003 C: C. JONES 11AUG2003 APP: C. JONES PRODUCT SPEC:	Tyco Electronics Tyco Electronics Corporation Harrisburg, PA 17105
DIMENSIONS: INCHES 0 PLG ± 1 PLG ± 2 PLG ± 3 PLG ± 0.15 [0.06] 4 PLG ± ANGLES ±	MATERIAL: SEE TABLE FINISH: SEE TABLE	APPLICATION SPEC: HEIGHT: CUSTOMER DRAWING	SIZE: A2 CASE CODE: 00779 DRAWING NO: C=794220 RESTRICTED TO: F
SCALE: 10:1		SHEET 1 OF 1 REV F	

794220

A