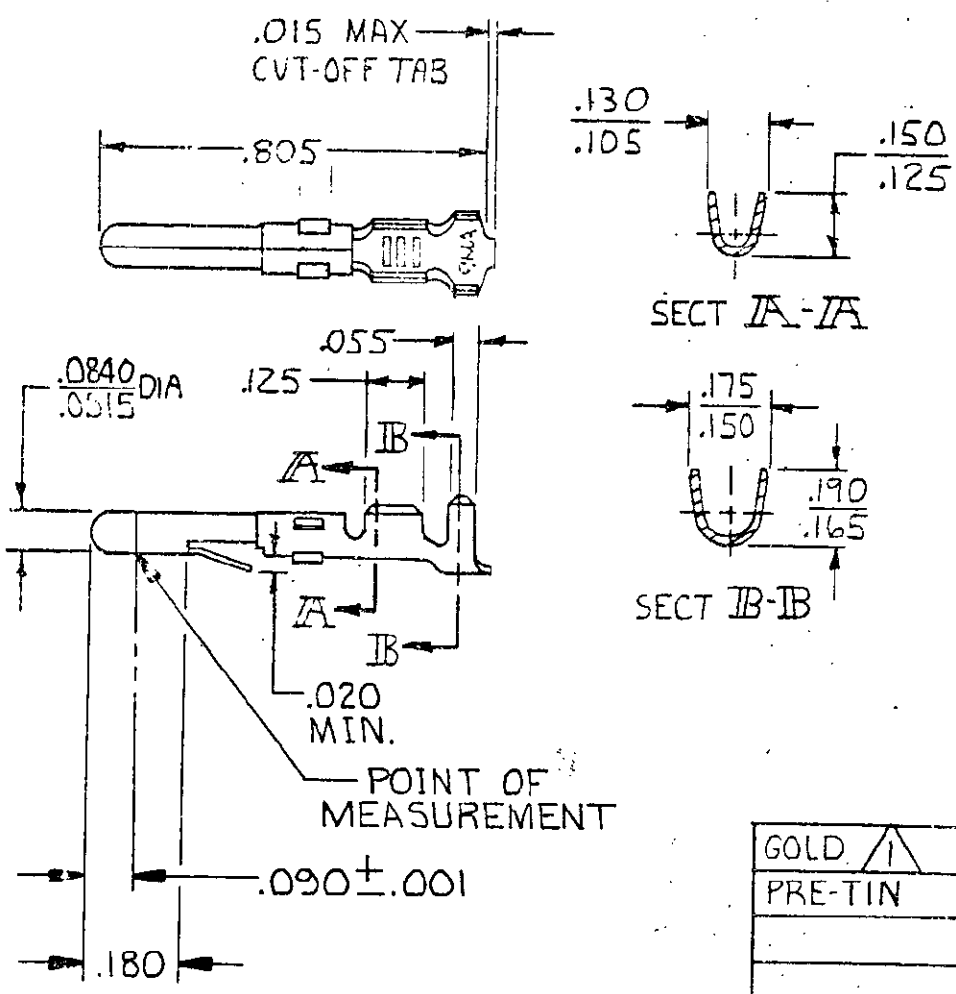



© COPYRIGHT 1955 BY AMP INCORPORATED, HARRISBURG, PA. ALL INTERNATIONAL RIGHTS RESERVED. AMP INCORPORATED PRODUCTS COVERED BY U.S. AND FOREIGN PATENTS AND /OR PATENTS PENDING.

REVISIONS				
LTR	DESCRIPTION	DATE	APPROVED	PIF
N	REV PER CM-1734	8-17-88	PKC	RS
P	REVISED PER CM-3285	2-12-91	PKC	RS
R	REV PER EC 0730-4265-93	4-4-94	RV	RS
S	REV PER EC 0730-0142-94	8-15-94	RV	RS



⚠ .000030 GOLD INSIDE WIRE BARREL & ON TIP OF PIN. REMAINDER OF CONTACT IS NICKEL PLATE.

GOLD	⚠	.012 BRASS	60620-5
PRE-TIN		PII BRZ	-4
PRE-TIN		.012 BRASS	60620-1
FINISH		MATERIAL	PART NO

UNLESS OTHERWISE SPECIFIED DIMENSIONS ARE IN INCHES. TOLERANCES ON: DECIMALS ± .015 ANGLES ±	CONTRACT NO	 AMP INCORPORATED Harrisburg, Pa.
	DR <i>M. FEHER 11-26-79</i>	
MATERIAL SEE TABLE	CHK <i>W. Weide 11/100</i>	NAME PIN, LOOSE PIECE, COMMERCIAL MATE-N-LOK
	APPD <i>W. Weide 1-7-81</i>	INSULATION DIA .130 MAX
FINISH SEE TABLE	APPD	SIZE A
	INSULATION DIA .130 MAX	CODE IDENT NO 00779
WIRE RANGE 20-14 AWG	SCALE	DRAWING NO 60620
AMP 1469-32 (7-73)		SHEET

CUSTOMER DRAWING