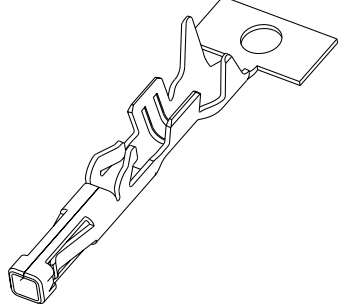
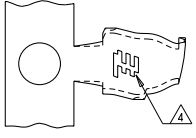
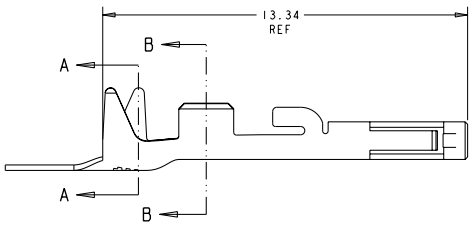
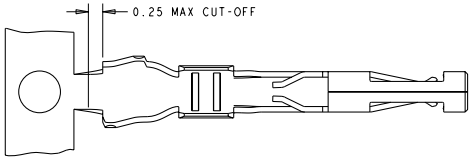
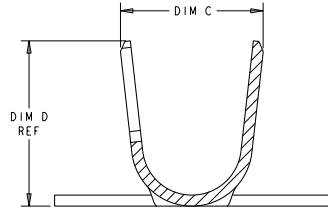


THIS DRAWING IS UNPUBLISHED. RELEASED FOR PUBLICATION BY TYCO ELECTRONICS CORPORATION. ALL RIGHTS RESERVED. COPYRIGHT 20

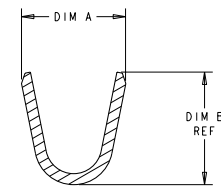
REVISIONS			
P	LY	DESCRIPTION	DATE
A1		REVISED PER ECR-10-021769	26OCT2010



- △ COPPER ALLOY, 0.20 THK. REF
- △ NICKEL UNDERPLATE OVER ALL
- △ 0.00254 MIN THK BRIGHT TIN, LUBRICATED, OVER NICKEL UNDERPLATE
- △ TYCO ELECTRONICS LOGO LOCATED APPROXIMATELY AS SHOWN



SECTION A-A  
SCALE 20:1



SECTION B-B  
SCALE 20:1

DIM D	DIM C	DIM B	DIM A	INSULATION DIA	WIRE RANGE	REMARKS	FINISH	PART NO
2.40	2.60 2.20	1.55	1.96 1.57	1.30 - 1.60	22-24 AWG	LOOSE PIECE	△ △	I-2106123-2
2.40	2.60 2.20	1.55	1.96 1.57	1.30 - 1.60	22-24 AWG	ON REEL	△ △	I-2106123-1
3.01	2.80 2.40	2.05	2.32 1.92	1.70 - 2.10	18-20 AWG	LOOSE PIECE	△ △	2106123-2
3.01	2.80 2.40	2.05	2.32 1.92	1.70 - 2.10	18-20 AWG	ON REEL	△ △	2106123-1

DIMENSIONS: mm 0 PLC ±.1 1 PLC ±.13 2 PLC ±.15 3 PLC ±.2 4 PLC ±.25 ANGLES ±.1° FINISH △		TO DRAWING ONLY OPTIMIZED SPECIFIED SEE TABLE CUSTOMER DRAWING		DATE: 04MAR2009 BY: R. BROWN CHK: A. BUCHER APPR:		Tyco Electronics Harrisburg, PA 17105-3608	
PRODUCT SPEC: 108-2391 APPLICATION SPEC: 114-13261				NAME: CONTACT, RECEPTACLE, CRIMP SNAP-IN MICRO MATE-N-LOK (TM) SIZE: A CASE CODE: 200779 DRAWING NO: C-2106123		RESTRICTED TO:	