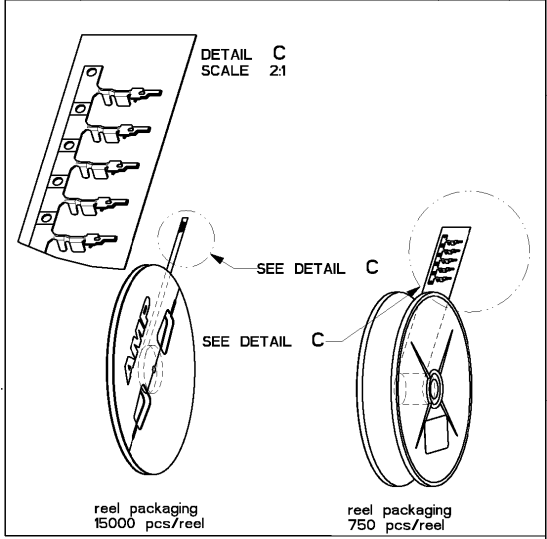
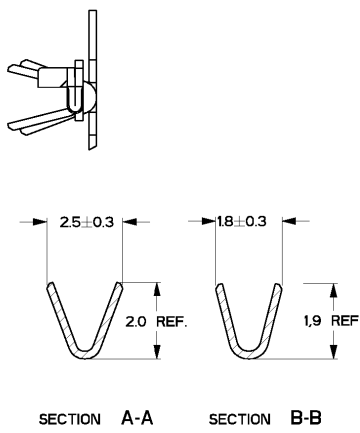
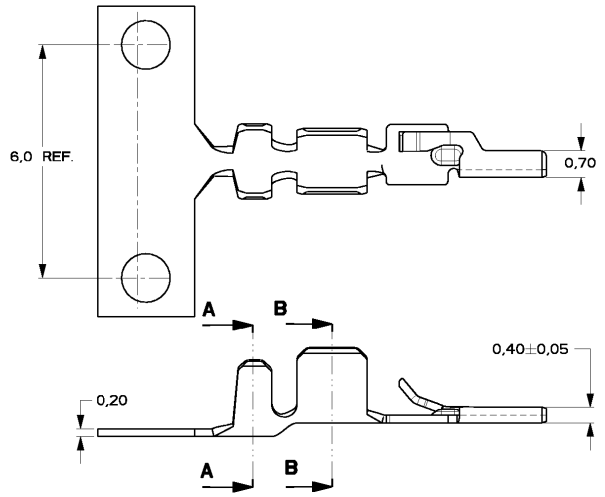
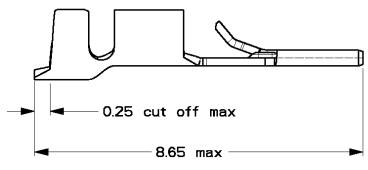
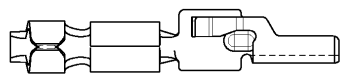


THIS DRAWING IS UNPUBLISHED. **XXXXXXXXXXXXX** DATE: -
 © COPYRIGHT - 97 By Tyco Electronics Nederland B.V. ALL RIGHTS RESERVED.

REVISIONS			
LTR	DESCRIPTION	DATE	APVD
B	ECN 1381/98	08/09/98	MG
D	ECN 0080-00	18/04/00	MG
E	EH01-0232-04	16 FEB 04	EL



- NOTES:
1. WIRE RANGE 24-20 AWG
 2. INSULATION RANGE \varnothing .50-.060 (1,27-1,52 mm)
 3. FOR APPLICATOR USE ONLY
 4. FOR HANDTOOL USE ONLY
 5. FOR APPLICABLE CONNECTOR HOUSINGS SEE C-338095.



4	750	Pre-Tin	COSI-contact	Phosphorbronze	I-0338097-1
3	15000	Pre-Tin	COSI-contact	Phosphorbronze	0-0338097-1
	Pcs/reel	Finish	Description	Material	Partnumber

<small>THIS DRAWING IS A CONTROLLED DOCUMENT FOR Tyco Electronics Nederland B.V. IT IS SUBJECT TO CONTROL AND THE CONTROLLING ENGINEERING DEPARTMENT SHOULD BE CONTACTED FOR THE LATEST REVISIONS.</small>		DWN M.VAMELSFOORT		AMP Tyco Electronics Nederland B.V. <small>• HERTOGENBOSCH, THE NETHERLANDS</small>	
DIMENSIONS: mm		TOLERANCES UNLESS OTHERWISE SPECIFIED: 0 PLC ± 02 1 PLC ± 01 2 PLC ± 005 3 PLC ± 001 4 PLC ± . ANGLES ± .°		NAME MICRO-MATCH COSI CONTACT 20-24 AWG	
MATERIAL Pre-tinplated		FINISH Pre-tinplated		PRODUCT SPEC 108-19052	
		APPLICATION SPEC 114-19051		DRAWING NO C-338097	
		WEIGHT CUSTOMER DRAWING		SIZE A3	
				CAGE CODE 00779	
				SCALE 10:1	
				SHEET 1 OF 1	
				REV E	

AMP 1470-19 REV 02APRIL96

PROFESSOR DRAWING