

4

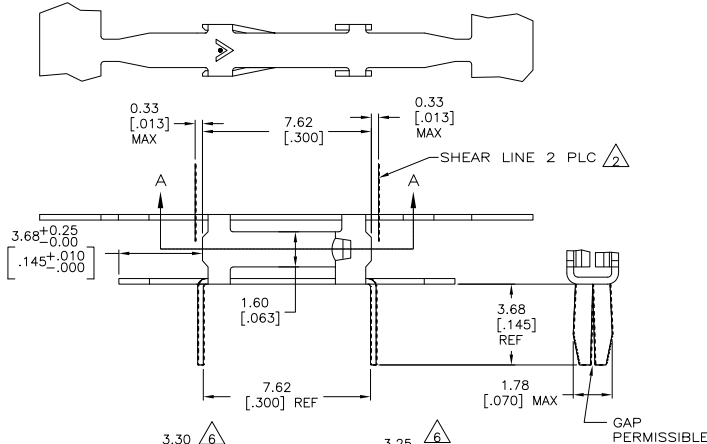
3

2

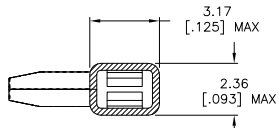
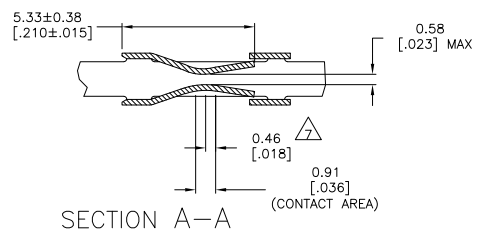
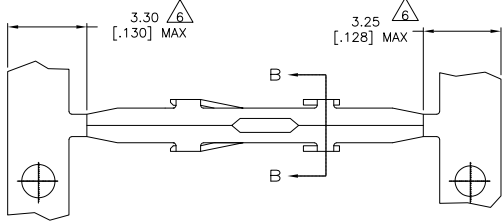
1

THIS DRAWING IS UNPUBLISHED. RELEASED FOR PUBLICATION.  
 © COPYRIGHT BY TYCO ELECTRONICS CORPORATION. ALL RIGHTS RESERVED.

LOC	DIST	REVISIONS		DATE	BY	APP'D
AD	00	F	LNK			
		H1	REVISED PER ECO-09-021826	6JUN10	KK	AEG

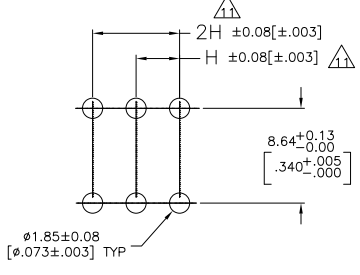


- 1 THICKNESS OF CUSTOMERS P.C. CARD 1.58[.062] OR 1.36[.093]
- 2 CONTACT LEGS SHOWN IN PHANTOM AND SHEAR LINES DEFINE LOOSE PIECE PART.
- 3 0.25[.010] COML. PHOS. BRZ.
- 4 0.00076[.000030] GOLD OVER 0.00127[.000050] NICKEL IN CONTACT AREA AND REMAINDER GOLD FLASH OVER 0.00127[.000050] NICKEL.
- 5 GOLD FLASH OVER 0.00127[.000050] NICKEL, 0.00038[.000015] GOLD ON CONTACT AREA.
- 6 GOLD PLATING NOT REQUIRED IN THIS AREA.
- 7 POINT OF MEASUREMENT FOR PLATING THICKNESS.
- 8 0.00254[.000100] TIN OVER 0.00127[.000050] NICKEL.
- 9 0.00076[.000030] GOLD OVER NICKEL.
- 10 0.00254-0.00508[.000100-.000200] BRIGHT TIN OVER 0.00076-0.00178[.000030-.000070] NICKEL.
- 11 "H" RECEPTACLE CENTERS MAY VARY DEPENDING ON REQUIREMENTS. MINIMUM NOMINAL CENTERLINE SPACING BETWEEN ADJACENT RECEPTACLES IS 3.18[.125].
- 12 0.00200 [.000079] MIN TIN.
- 13 OBSOLETE PARTS: OBSOLETE CIS STREAMLINING PER D.RENAUD/D.SINISI

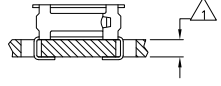


SECTION B-B

SECTION A-A



RECOMMENDED P.C BOARD LAYOUT



TYPICAL APPLICATION

OBSOLETE	86434-7	△	△	86432-9
△ OBSOLETE	86434-6	△	△	86432-8
OBSOLETE	86434-5	△	△	86432-5
OBSOLETE	86434-4	△	△	86432-4
OBSOLETE	86434-3	△	△	86432-3
OBSOLETE	86434-2	△	△	86432-2
	86434-1	△	△	86432-1

THIS DRAWING IS A CONTROLLED DOCUMENT.		DRW E. BRANDBERG 2820094	Tyco Electronics Corporation
		CHK J. HERRINGTON 2820094	Harrisburg, Pa 17105-3608
		APP J. HERRINGTON 2820094	<b>Tyco Electronics</b>
		PROD SPEC	FEMALE CONTACT
		APPLICATION SPEC	HORIZONTAL, COMMERCIAL
		WEIGHT	CONNECTOR, MOD I, HIGH PRESSURE
MATERIAL SEE TABLE		FINISH SEE TABLE	SIZE ONE CODE DRAWING NO RESTRICTED TO
			A2 00779 C-86432
			CUSTOMER DRAWING
			SCALE 8:1 SHEET 1 OF 1 REV H1

AMP 1471-9 REV 31MM0200

86432

A