

4

3

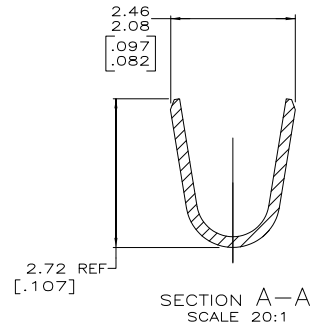
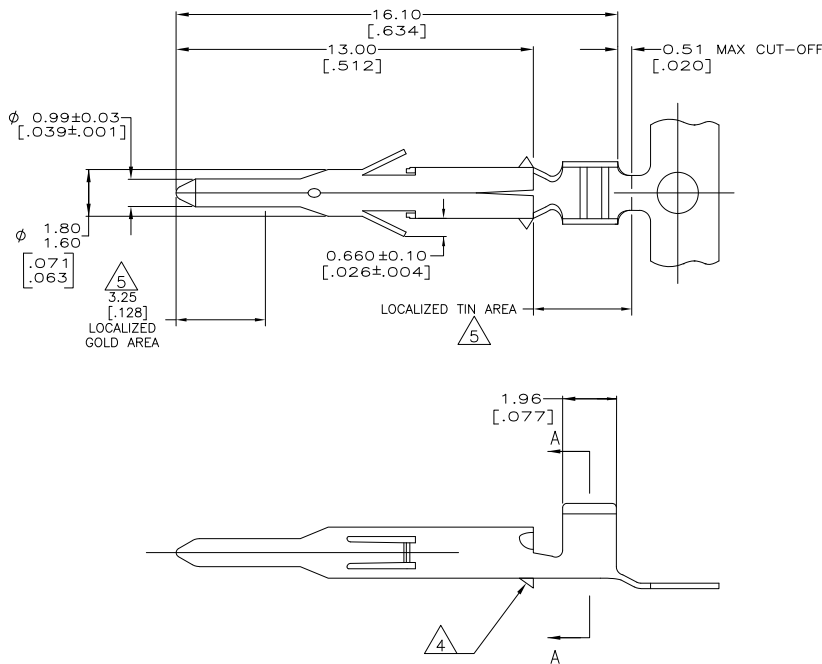
2

1

THIS DRAWING IS UNPUBLISHED. RELEASED FOR PUBLICATION.
 © COPYRIGHT BY TYCO ELECTRONICS CORPORATION. ALL INTERNATIONAL RIGHTS RESERVED.

LOC	DIST	REVISIONS		DATE	BY	APP'D
CM	00	F	LR			
		G1		REVISED PER ECR-11-003208	22FEB11	HMR TM

- 1 WIRE RANGE: 0.3 - 0.9MM² (22-18 AWG).
- 2 INSULATION RANGE: 1.50-2.40 [.060-.094] DIA.
- 3 DIMENSIONS IN BRACKETS ARE IN INCHES.
- △ BOTTOM CONTACT STOP IS OPTIONAL CONSTRUCTION.
- △ 0.000762 [.000030] MIN GOLD IN LOCALIZED GOLD PLATE AREA AND 0.00254 [.000100] MIN BRIGHT TIN LOCALIZED TIN PLATE AREA OVER 0.00127 [.000050] MIN NICKEL.



△	DESCRIPTION	MATERIAL	PART NO
5	0.20 [.008] BRASS		784440-3
	NONE	0.20 [.008] BRASS	784440-2
	PRE-TIN	0.20 [.008] BRASS	784440-1
	FINISH		

METRIC

THIS DRAWING IS A CONTROLLED DOCUMENT. DIM: K. WHITAKER 20FEB2004
 CHK: C. JONES 20FEB04
 C. JONES 20FEB04
 C. JONES 20FEB04

Tyco Electronics Corporation
 Harrisburg, PA 17105-3608

PIN,
 UNIVERSAL MATE-N-LOK

SIZE: A2 CASE CODE: C=794440 DRAWING NO: 000779
 WEIGHT: CUSTOMER DRAWING SCALE: 10:1 SHEET: 1 of 1 REV: G1