

4

3

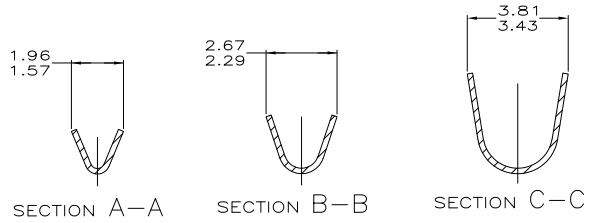
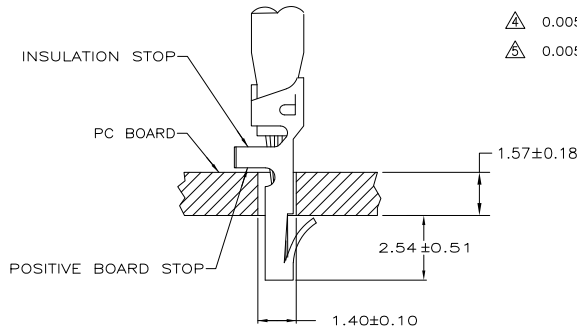
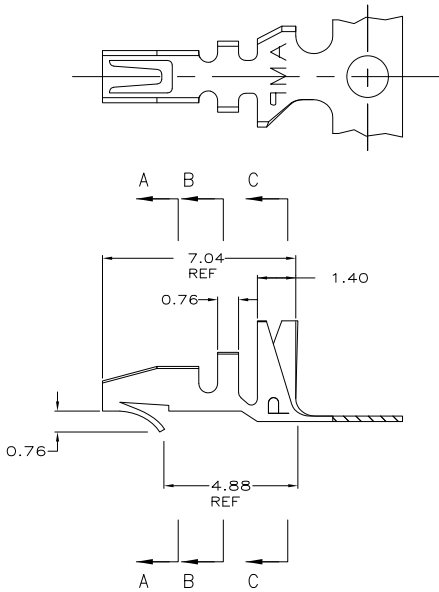
2

1

THIS DRAWING IS UNPUBLISHED. RELEASED FOR PUBLICATION.  
 © COPYRIGHT BY TYCO ELECTRONICS CORPORATION. ALL RIGHTS RESERVED.

LOC	DIST	REVISIONS			
F	LNK	DESCRIPTION	DATE	BY	APPD
CM	00				
	D1	REV PER ECO 10-024400	01MAR11	JR	SM

- PARTS COMPLY WITH AMP SOLDERABILITY SPECIFICATION 109-11-2.
- WIRE RANGE: 0.12 - 0.4 MM<sup>2</sup> (26 - 22 AWG).
- INSULATION RANGE: 1.02 - 2.79
- 0.00508 MIN BRIGHT TIN-LEAD.
- 0.00508 MIN BRIGHT TIN.



MM	IN	MM	IN	MM	IN	MM	IN
0.51	.020	2.29	.090	4.88	.192	-	-
0.20	.008	1.96	.077	3.81	.150	-	-
0.18	.007	1.57	.062	3.43	.135	-	-
0.13	.005	1.40	.055	2.79	.110	-	-
0.10	.004	1.02	.040	2.67	.105	-	-
0.00508	.000200	0.76	.030	2.54	.100	7.04	.277

CONVERSION TABLE

**METRIC**

THIS DRAWING IS A CONTROLLED DOCUMENT.		DRN S. CARPENTER 21AUG2003	Tyco Electronics Corporation Harrisburg, PA 17105
DIMENSIONS: MM		CHK J. ELLIS 21AUG2003	
TOLERANCES UNLESS OTHERWISE SPECIFIED:		APPD J. ELLIS 21AUG2003	FINISH
0 PLC ±		NAME 108-1081	PART NO.
1 PLC ±		PRODUCT SPEC	
2 PLC ±		APPLICATION SPEC	TERMINAL MINI AMP-IN™ 2000
3 PLC ±		114-1016	
4 PLC ±		HEIGHT	SIZE CASE CODE DRAWING NO
ANGLES		FINISH	A2 00779 C=794122
MATERIAL 0.20 PH BRZ		CUSTOMER DRAWING	RESTRICTED TO
		SCALE 10:1	SHEET 1 OF 1 REV D1

AMP 1471-9 REV 31MMR2000 H:\DMMod\

794122

A