

4

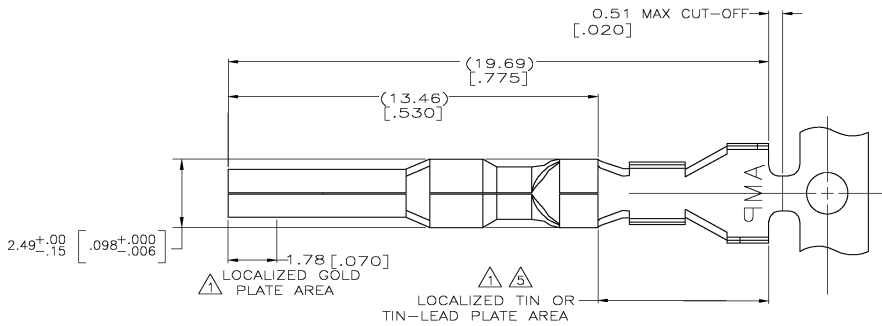
3

2

1

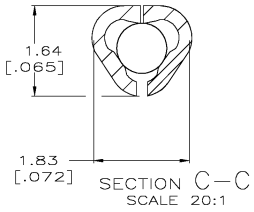
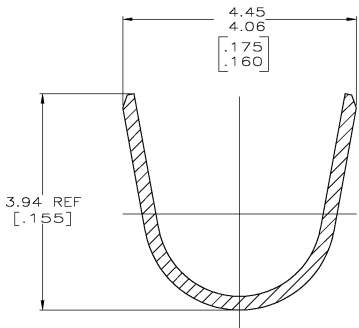
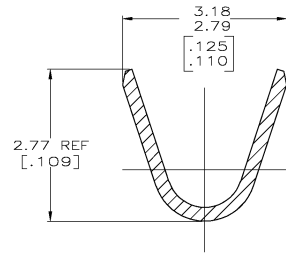
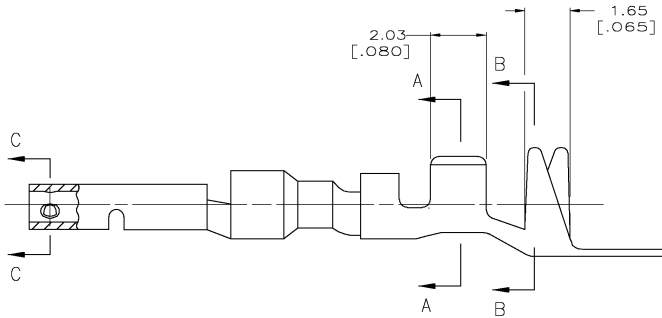
THIS DRAWING IS UNPUBLISHED. RELEASED FOR PUBLICATION. BY TYCO ELECTRONICS CORPORATION. ALL RIGHTS RESERVED.

LOC	QTY	REV	DESCRIPTION	DATE	BY	APP'D
CM	00	P	LTR			
		G	REVISED PER EC 0638-0387-03	21MAY03	SC	CJ



- 1. 0.00076 [0.00030] MIN GOLD IN LOCALIZED GOLD PLATE AREA AND 0.00254-0.00635 [0.00100-0.00250] BRIGHT TIN-LEAD IN LOCALIZED TIN-LEAD PLATE AREA OVER 0.00127 [0.00050] MIN NICKEL.
- 2. WIRE RANGE: 0.5-1.4MM<sup>2</sup> (20-16 AWG).
- 3. INSULATION RANGE: 2.01-3.20 [.079-.126] DIA.
- 4. DIMENSIONS IN BRACKETS ARE IN INCHES.

- 1. 0.00076 [0.00030] MIN GOLD IN LOCALIZED GOLD PLATE AREA AND 0.00254-0.00635 [0.00100-0.00250] BRIGHT TIN-LEAD IN LOCALIZED TIN-LEAD PLATE AREA OVER 0.00127 [0.00050] MIN NICKEL.



△	0.25 [.010] BRASS	1-794223-0
△	0.25 [.010] BRASS	794223-3
PRE-TIN	0.25 [.010] BRASS	794223-1

THIS DRAWING IS A CONTROLLED DOCUMENT.

DIMENSIONS: INCHES	DESIGNED BY: S. CARPENTER 21MAY2003	TYCO ELECTRONICS	Tyco Electronics Corporation Harrisburg, PA 17105
0 PLG ±	CHK: C. JONES 21MAY2003	SOCKET, MINI UNIVERSAL MATE-N-LOK™ 2	
1 PLG ±	APP'D: C. JONES 21MAY2003	RESTRICTED TO	
2 PLG ±	APPLICATION SPEC:	SCALE: 10:1	
3 PLG ±	WEIGHT:	SHEET: 1 OF 1	
4 PLG ±	FINISH:	REV: G	
5 PLG ±	MATERIAL: SEE TABLE	CUSTOMER DRAWING	
6 PLG ±	SEE TABLE		

794223