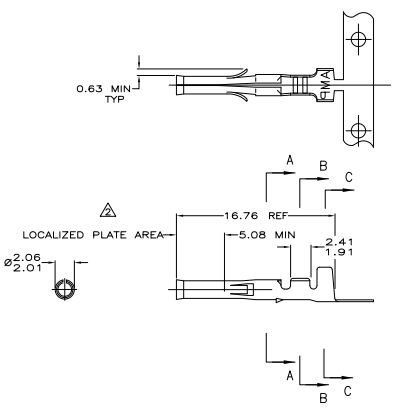
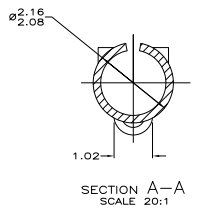
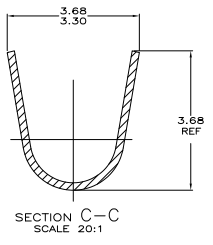
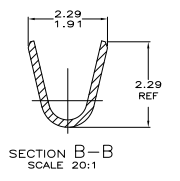


THE DRAWING IS UNLESS OTHERWISE SPECIFIED TO BE IN METRIC UNITS
 UNLESS OTHERWISE SPECIFIED ALL DIMENSIONS ARE IN MILLIMETERS

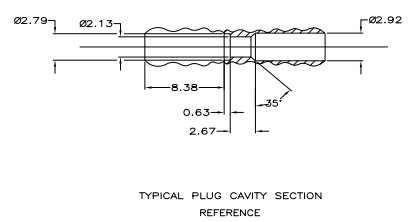
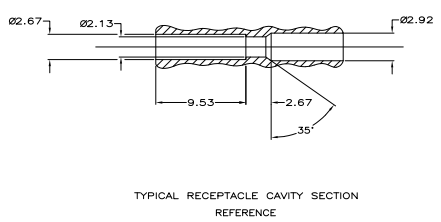
REV	DATE	DESCRIPTION	BY	CHK
00		REVISED PER ECO-11-004620	11MM11	RK HMR



- △ 0.0008 MIN GOLD INSIDE RECEPTACLE IN LOCALIZED PLATE AREA OVER 0.0008 MIN NICKEL.
- 3. EITHER CAVITY WILL ACCEPT RECEPTACLE 350628,640392 OR PIN 350629,640391.
- △ REELED ON PLASTIC REELS.

IN	MM
.660	16.76
.375	9.53
.330	8.38
.200	5.08
.145	3.68
.130	3.30
.115	2.92
.110	2.79
.105	2.67
.095	2.41
.090	2.29
.085	2.16
.084	2.13
.082	2.08
.081	2.06
.079	2.01
.075	1.91
.050	1.27
.040	1.02
.025	0.63
.008	0.20
.005	0.13
0.00030	0.0008
IN	MM

CONVERSION TABLE



FINISH	MATERIAL	INSULATION	DIAMETER	WIRE RANGE	PART NO
△ PRE-TIN	0.20 BRASS		1.27-2.79	24-18	350628-8
△	0.20 PH.BRZ.		1.27-2.79	24-18	350628-6
△	0.20 BRASS		1.27-2.79	24-18	350628-5
PRE-TIN	0.20 PH.BRZ.		1.27-2.79	24-18	350628-2
PRE-TIN	0.20 BRASS		1.27-2.79	24-18	350628-1

THIS DRAWING IS A CONTROLLED DOCUMENT

DATE: 10-11-01

REVISED PER ECO-11-004620

TE Connectivity

062 SOCKET

COMMERCIAL PIN & SOCKET

TAKE ONE COPY DRAWING NO. A1 007790-350628

CUSTOMER DRAWING

