

4

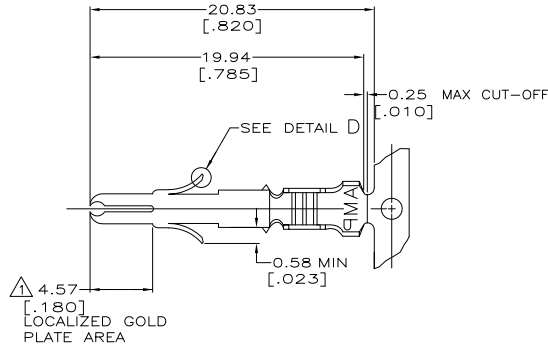
3

2

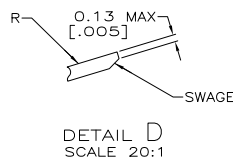
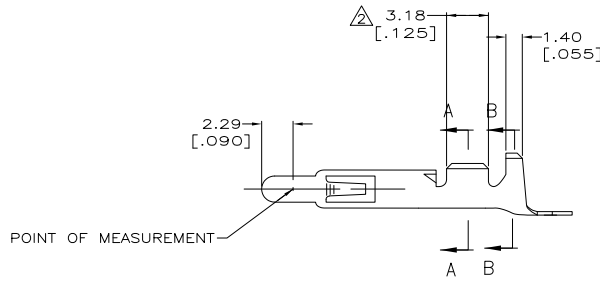
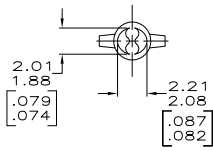
1

THIS DRAWING IS UNPUBLISHED. RELEASED FOR PUBLICATION. ALL RIGHTS RESERVED.

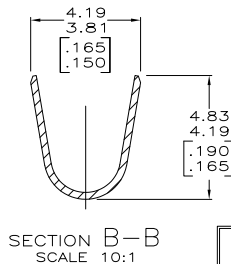
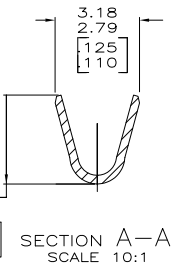
LOC	DIST	REVISIONS					
CM	53	F	LR	DESCRIPTION	DATE	BY	APPD
		Y1		REVISED PER ECO-11-004587	11MAR11	RK	HMR



- △ PLATED WITH 0.00076 [.000030] GOLD, OVER 0.00127 [.000050] NICKEL UNDERPLATE.
- △ PLATED INTERNALLY WITH 0.00076 [.000030] GOLD.
- 3. DIMENSIONS IN BRACKETS ARE IN INCHES.
- △ PRELIMINARY, NOT FOR PRODUCTION.



△	-	0.31 [.012]	BE CU	PRE-TIN	350687-9
△	350705-7	0.31 [.012]	BRASS	GOLD	350687-7
△	-	0.31 [.012]	PH BRZ	GOLD	350687-5
△	350705-2	0.31 [.012]	BRASS	GOLD	350687-2
△	350705-1	0.31 [.012]	BRASS	PRE-TIN	350687-1
	LOOSE PIECE (REF)		MATERIAL	FINISH	PART NUMBER



METRIC

WIRE RANGE 20-14 AWG

THIS DRAWING IS A CONTROLLED DOCUMENT.

DIMENSIONS: mm [INCHES] TOLERANCES UNLESS OTHERWISE SPECIFIED: 0 PLG ± .010 1 PLG ± .015 2 PLG ± .020 3 PLG ± .030 4 PLG ± .040 ANGLES ± 0.30°	DWG: K. WHITAKER 12-MAY-2000 CHK: K. COBLE 12-MAY-2000 APPD: K. COBLE 12-MAY-2000 NAME: K. COBLE PRODUCT SPEC: -- APPLICATION SPEC: -- WEIGHT: --	TE Connectivity PIN, UNIVERSAL MATE-N-LOK™ SIZE: A2 CASE CODE: C=350687 CUSTOMER DRAWING SCALE: 5:1 SHEET: 1 of 1 REV: Y1
---	---	---