

4

3

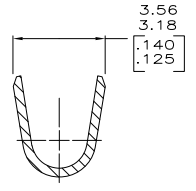
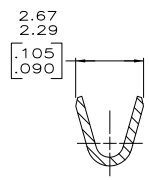
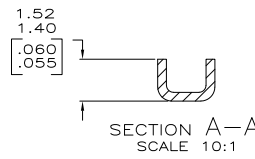
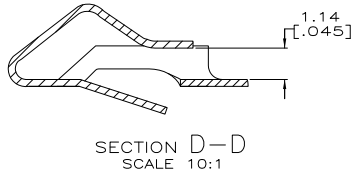
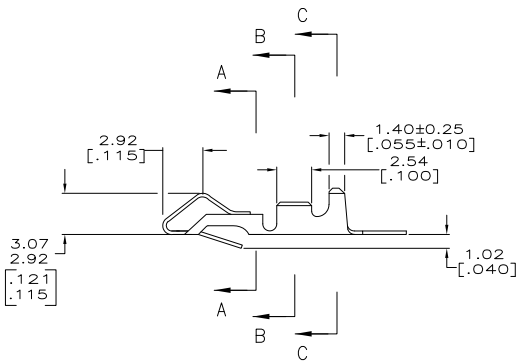
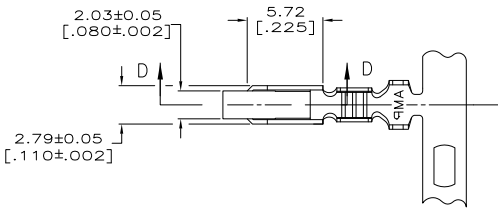
2

1

THIS DRAWING IS UNPUBLISHED. RELEASED FOR PUBLICATION. ALL RIGHTS RESERVED.

LOC	DIST	REVISIONS		
P	LTR	DESCRIPTION	DATE	BY
CM	00			
	W1	REVISED PER ECO-11-004820	11MAR11	RK HMR

- ① 0.00203 [.000080] MIN BRIGHT TIN-LEAD OVER  
0.00127 [.000050] MIN NICKEL.
- ② 0.00330 [.000130] MAX PRE-TIN.
- ③ 0.00013 [.000005] GOLD OVER 0.00127 [.000050]  
MIN NICKEL ALL OVER AND 0.00076 [.000030] MIN  
GOLD ON CONTACT AREA.
- 4. WIRE RANGE: 0.2-0.9mm<sup>2</sup> (24-18 AWG).  
INSULATION RANGE: 2.79 [.110] DIA MAX.
- 5. DIMENSIONS IN BRACKETS ARE IN INCHES.
- ⑥ 0.00203 [.000080] MIN BRIGHT TIN OVER  
0.00127 [.000050] MIN NICKEL.



MINI	SEE 3-640706-1	⑥	3-640252-1
MINI	SEE 640706-2	②	640252-2
MINI	SEE 640706-1	①	640252-1
APPLICATOR	LOOSE PIECE	FINISH	PART NO

METRIC

THIS DRAWING IS A CONTROLLED DOCUMENT.		DRN S. CARPENTER	21AUG2003	TE Connectivity
DIMENSIONS: INCHES		CHK J. ELLIS	21AUG2003	
OTHER DIMENSIONS: OTHER UNITS		APPD J. ELLIS	21AUG2003	RECEPTACLE, SL-156
MATERIAL 0.33 [.013] BRASS		FINISH SEE TABLE	APPLICATION SPEC A2	
WEIGHT		SIZE	CAGE CODE	DRAWING NO
CUSTOMER DRAWING		A2	00779	C=640252
SCALE		5:1	SHEET	1 of 1
REV		W1		