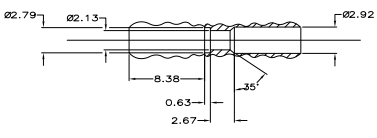
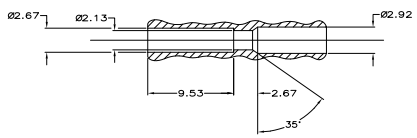
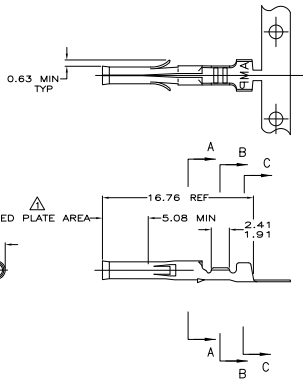
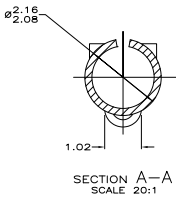
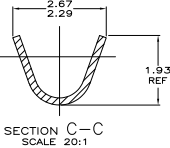
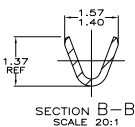


REV	DATE	DESCRIPTION	BY	CHK	APP
CM	53				
RT		REVISED PER ECO-11-04017	11/04/11	RK	MM



△ 0.0013 MIN NICKEL OVER ENTIRE RECEPTACLE WITH 0.0008 MIN GOLD INSIDE RECEPTACLE IN LOCALIZED PLATE AREA.  
 2. EITHER CAVITY WILL ACCEPT RECEPTACLE 350628,640392 OR FIN 350629,640391.

IN	MM
.660	16.76
.375	9.53
.330	8.38
.200	5.08
.115	2.92
.110	2.79
.105	2.67
.095	2.41
.090	2.29
.085	2.16
.084	2.13
.082	2.08
.081	2.06
.079	2.01
.076	1.93
.075	1.91
.062	1.57
.060	1.52
.055	1.40
.054	1.37
.040	1.02
.025	0.63
.020	0.51
.005	0.13
.000050	0.0013
.000030	0.0008

FINISH	MATERIAL	INSULATION DIAMETER	WIRE RANGE	PART NO
△	0.20 BRASS	1.52 MAX	30-24	640392-5
PRE-TIN	0.20 PHILBRZ	1.52 MAX	30-24	640392-2
PRE-TIN	0.20 BRASS	1.52 MAX	30-24	640392-1

THIS DRAWING IS A CONTROLLED DOCUMENT		REV. 1	DATE	10-11-11
APPROVED	DATE	REV. 2	DATE	
DESIGNED	DATE	REV. 3	DATE	
DRAWN	DATE	REV. 4	DATE	
CHECKED	DATE	REV. 5	DATE	
ISSUED	DATE	REV. 6	DATE	

TE CONNECTIVITY	062 SOCKET
COMMERCIAL PIN & SOCKET	
SIZE	SEE TABLE
REV	A1
DATE	10/07/11
BY	MM
CHK	RK
APP	MM
SCALE	5:1
SHEET	1
TOTAL	1

