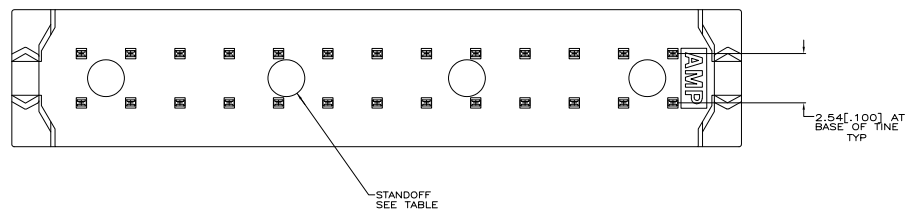
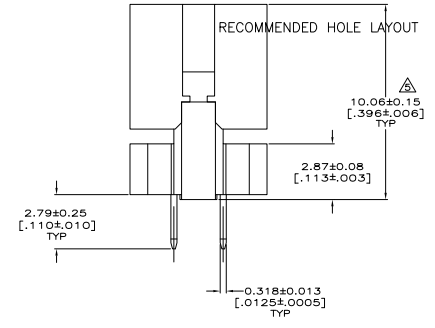
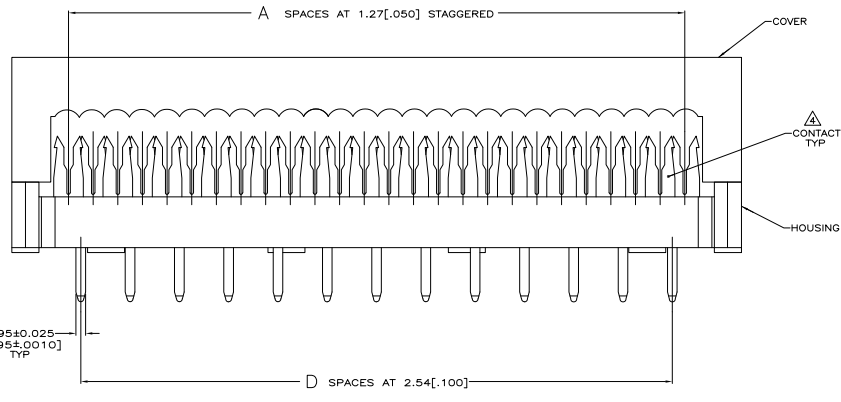
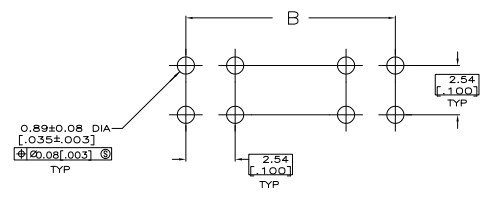
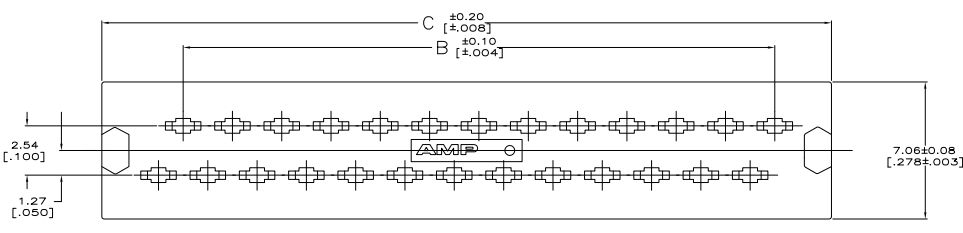


REV	DATE	DESCRIPTION	BY	APP
00				
F1		REVISED PER ECO-06-02011		JDF/CWR

- ▲ POLYESTER, BLACK, UL 94V-0 RATED.
- ▲ PHOSPHOR BRONZE PER QQ-B-750.
- ▲ 2.54mm[.000100] MIN TIN OR TIN-LEAD OVER 1.27mm[.000050] MIN NICKEL.
- ▲ CONTACTS WILL ACCEPT 28 AWG STRANDED OR 26, 28, 30 AWG SOLID WIRE.
- ▲ HEIGHT AFTER TERMINATION IS 6.43[.253].



NO OF STANDOFFS	D	C	B	A	NO OF POSN	PART NUMBER
OBSOLETE	9	29	80.77[3.180]	73.66[2.900]	59	60 1-111770-1
OBSOLETE	8	24	68.07[2.680]	60.96[2.400]	49	50 1-111770-0
OBSOLETE	7	19	55.37[2.180]	48.26[1.900]	39	40 111770-9
OBSOLETE	6	16	47.25[1.880]	40.64[1.600]	33	34 111770-8
OBSOLETE	4	12	37.59[1.480]	30.48[1.200]	25	26 111770-6
OBSOLETE	4	11	35.05[1.380]	27.94[1.100]	23	24 111770-5
OBSOLETE	4	9	29.97[1.180]	22.86[.900]	19	20 111770-4
OBSOLETE	2	4	17.27[.680]	10.16[.400]	9	10 111770-1

THIS DRAWING IS A CONTROLLED DOCUMENT. TTI ELECTRONICS CORPORATION, Harrisburg, PA 17105-3608. DATE: 10-11-88. DRAWING NO: 108-40013. REV: 1.1. CUSTOMER DRAWING.