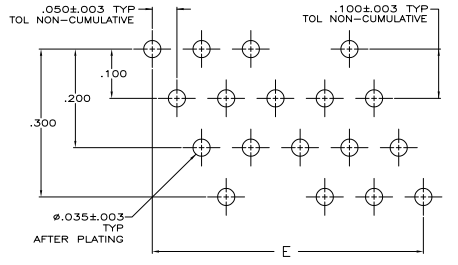
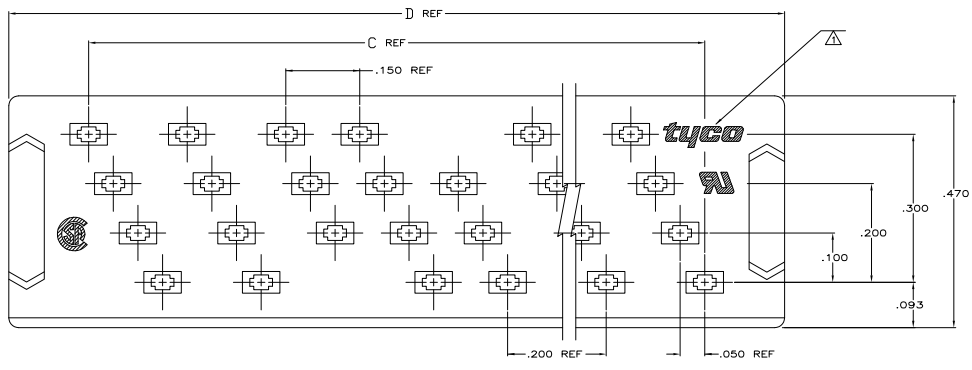
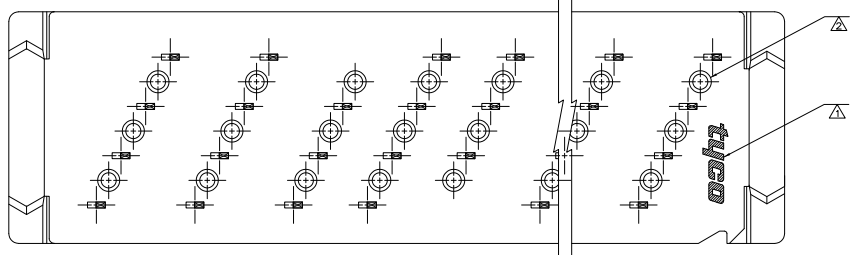
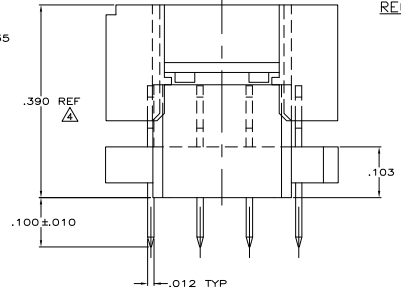
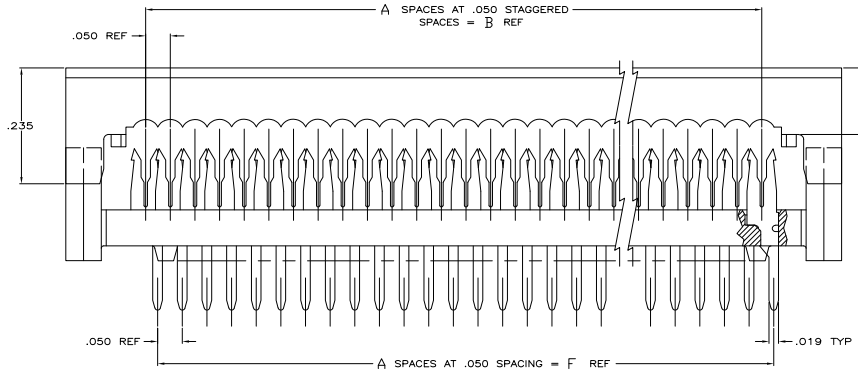


REV	DATE	DESCRIPTION	BY	CHK
DF	F0			
F		REV PER QH14-0903-04		

- △ TYCO TRADEMARK LOCATED IN APPROX AREA SHOWN.
- △ STANDOFFS: POSN 10 (9) STANDOFFS AS SHOWN.
 POSN 26 (21) STANDOFFS, 3 PER DIAGONAL ROW.
 POSN 34 (27) STANDOFFS, 3 PER DIAGONAL ROW.
 POSN 50 (39) STANDOFFS, 3 PER DIAGONAL ROW.
- △ FINISH: BRIGHT TIN-LEAD .000100-.000200 THK OVER NICKEL .000050 MIN THK.
- △ HEIGHT AFTER TERMINATION IS .238 REF.
- △ FINISH: BRIGHT TIN .000100-.000200 THK OVER NICKEL .000050 MIN THK.



RECOMMENDED HOLE LAYOUT



△	2.450	2.450	2.774	2.450	2.450	49	50	5-111039-4
△	1.650	1.650	1.974	1.650	1.650	33	34	5-111039-3
△	1.250	1.250	1.574	1.250	1.250	25	26	5-111039-2
△	.450	.450	.774	.450	.450	9	10	5-111039-1
△	2.450	2.450	2.774	2.450	2.450	49	50	111039-4
△	1.650	1.650	1.974	1.650	1.650	33	34	111039-3
△	1.250	1.250	1.574	1.250	1.250	25	26	111039-2
△	.450	.450	.774	.450	.450	9	10	111039-1

FINISH	F	E	D	C	B	A	NO OF POSN	PART NUMBER

THIS DRAWING IS A CONTROLLED DOCUMENT. DATE: 05-08-83. BY: SEACHEY. CHECKED: J. SOULLY. DRAWN BY: J. SOULLY. DATE: 03-07-83. MADE BY: J. SOULLY.

REVISIONS: 114-40005. DATE: 05-08-83. DRAWING NO: A100779. CUSTOMER DRAWING.

Kit, AMP-LATCH PADDLEBOARD ASSEMBLED, .100 LONG POSTS. SPCS. QTY: FULL TIN PLATED CONTACTS.

REWORKED TO: 10-1. 1. F.