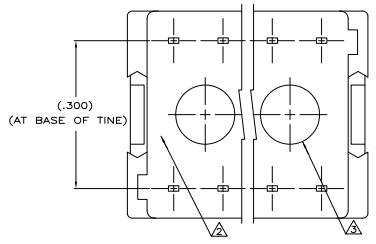
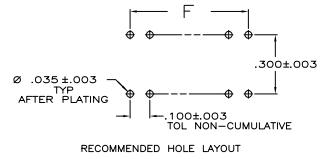
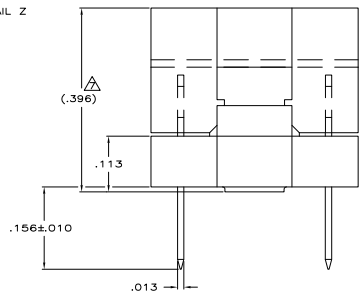
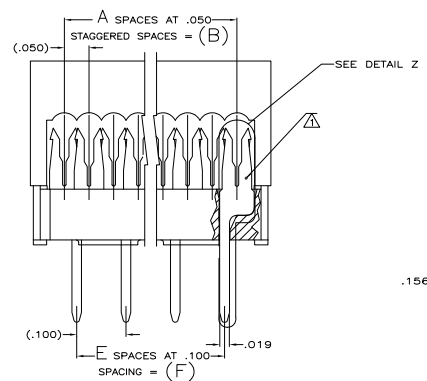


- △ CONTACTS DESIGNED FOR 28 AWG STRANDED OR 26, 28, & 30 AWG SOLID WIRE.
- △ AMP TRADEMARK LOCATED IN APPROX AREA SHOWN.
- △ STANDOFFS: POSN 8 (2) STANDOFFS AS SHOWN, POSN 14-18 (3) STANDOFFS, (1) CENTERED BETWEEN (2) SHOWN
- △ PLATED WITH .000005 MIN GOLD IN IDC AREA OVER .000050 MIN NICKEL.
- △ PLATED WITH .000015 GOLD OVER .000050 NICKEL.
- △ GOLD FLASH OVER .000050 NICKEL.
- △ HEIGHT AFTER TERMINATION IS (.253).
- △ INDICATES NO 1 POSITION.
- △ MOLDED PARTS: THERMOPLASTIC, 94V-0 RATED, BLACK.
- △ CONTACTS: PHOSPHOR BRONZE.



.700	7	.888	.700	.750	15	16	5746612-3
.600	6	.788	.600	.650	13	14	5746612-2
F	E	D	C	B	A	NO OF POSN	PART NUMBER
THIS DRAWING IS A CONTROLLED DOCUMENT. DATE: 11-28-94. BY: ATHALA. CHECKED: 11-28-94. APPROVED: 11-28-94. Title: Duplex							
THIS DRAWING IS A CONTROLLED DOCUMENT. DATE: 11-28-94. BY: BODKE. CHECKED: 11-28-94. APPROVED: 11-28-94. Title: Duplex							
THIS DRAWING IS A CONTROLLED DOCUMENT. DATE: 11-28-94. BY: WILMSLEY. CHECKED: 11-28-94. APPROVED: 11-28-94. Title: Duplex							
THIS DRAWING IS A CONTROLLED DOCUMENT. DATE: 11-28-94. BY: 108-40013. CHECKED: 11-28-94. APPROVED: 11-28-94. Title: Duplex							
THIS DRAWING IS A CONTROLLED DOCUMENT. DATE: 11-28-94. BY: 114-40005. CHECKED: 11-28-94. APPROVED: 11-28-94. Title: Duplex							
THIS DRAWING IS A CONTROLLED DOCUMENT. DATE: 11-28-94. BY: 100779. CHECKED: 11-28-94. APPROVED: 11-28-94. Title: Duplex							
THIS DRAWING IS A CONTROLLED DOCUMENT. DATE: 11-28-94. BY: 100779. CHECKED: 11-28-94. APPROVED: 11-28-94. Title: Duplex							