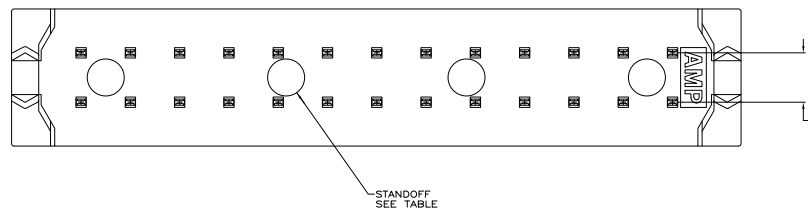
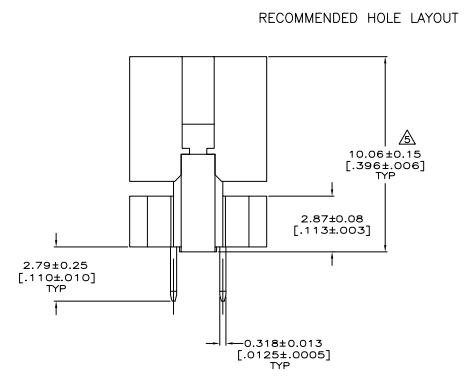
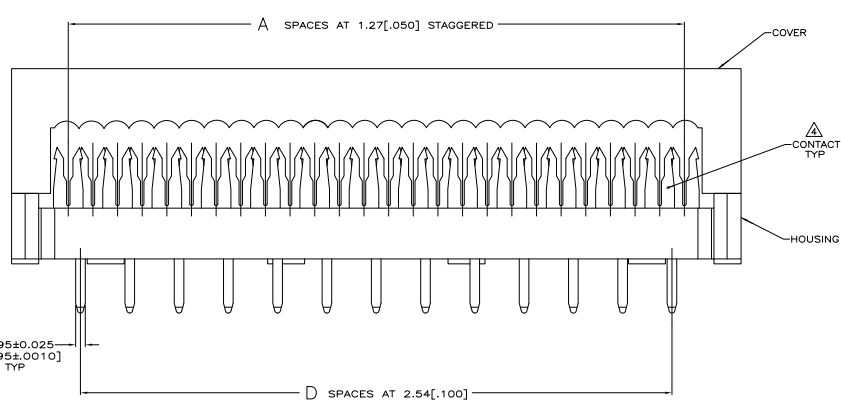
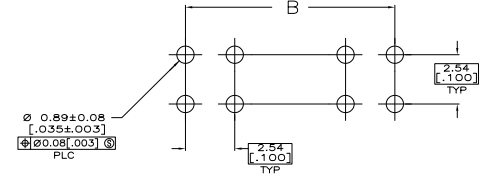
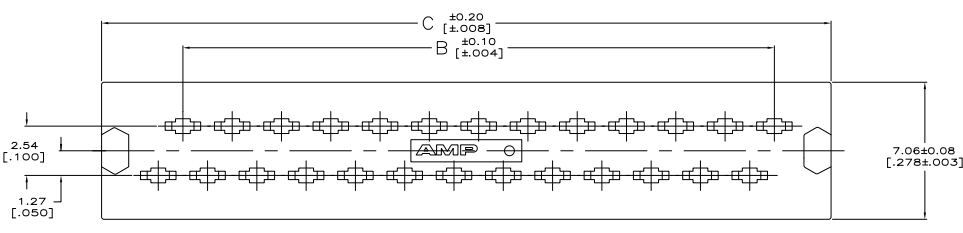


THIS DRAWING IS UNPUBLISHED  
 UNLESS INDICATED OTHERWISE  
 © 2005 TEL ELECTRONICS CORPORATION ALL RIGHTS RESERVED

REV	DATE	DESCRIPTION	BY	APP
GP 00				
C		REVISED PER ECO-09-023846	31MAR2008	CJV/DWR
C1		REVISED PER ECO-09-024627	09NOV09	KK/AEG

- ▲ HOUSING & COVER: POLYESTER, BLACK, UL 94V-0 RATED.
- ▲ CONTACTS: PHOSPHOR BRONZE.
- ▲ CONTACTS: 1.27µm[.00005] MIN GOLD ON RIBBON CABLE TERMINATION AREA
- ▲ 2.54µm[.000100] MIN MATTE TIN ON SOLDER TAILS, ALL OVER
- ▲ 1.27µm[.000050] MIN NICKEL.
- ▲ CONTACTS WILL ACCEPT 28 AWG STRANDED OR 26, 28, 30 AWG SOLID WIRE.
- ▲ HEIGHT AFTER TERMINATION IS 6.43[.253].
- ▲ OBSOLETE PARTS: OBSOLETE CIS STREAMLINING PER D.RENAUD/D.SINISI



10	31	85.85[3.380]	78.74[3.100]	63	64	1-5111770-2
9	29	80.77[3.180]	73.66[2.900]	59	60	1-5111770-1
8	24	68.07[2.680]	60.96[2.400]	49	50	1-5111770-0
7	21	60.45[2.380]	53.34[2.100]	43	44	5111770-9
6	16	47.75[1.880]	40.64[1.600]	33	34	5111770-8
5	12	37.59[1.480]	30.48[1.200]	25	26	5111770-7
4	11	35.05[1.380]	27.94[1.100]	23	24	5111770-6
3	7	24.89[0.980]	17.78[0.700]	15	16	5111770-5
2	6	22.35[0.880]	15.24[0.600]	13	14	5111770-4
1	4	17.27[0.680]	10.16[0.400]	9	10	5111770-3
NO OF STANDOFFS	D	C	B	A	NO OF POSN	PART NO

THIS DRAWING IS A CONTROLLED DOCUMENT

DATE: 11-28-04  
 BY: B. BODDE  
 CHECKED: M. WILMSLEY  
 DATE: 11-28-04

108-40013  
 114-40005

PLUG ASSEMBLY, DIP, AMP-LATCH

100779 ©=5111770

CUSTOMER DRAWING