

REV	DATE	BY	CHKD	APPROV
1	29NOV2010	HMR	DD	

- △ MATERIALS AND FINISH:
 - HOUSING: LCP, COLOR: WHITE
 - CONTACTS: COPPER ALLOY, FINISH: TIN
- 2. MUST COMPLY WITH DIRECTIVE 2002/95/EC (ROHS)
- 4. WIRE TYPES AND SIZES ACCEPTED
 - 18, 20 AND 22 AWG SOLID WIRE
 - 18 AND 20 AWG PREBOND STRANDED WIRE
 - 18 AWG STRANDED WIRE (16 STRAND COUNT)
 - MAX INSULATION OD: 2.10 MM (.083")
 - STRIP LENGTH: 7.0±1.0 (.276")
- 5. PACKAGED IN TAPE AND REEL
- 6. SEALED CONNECTOR, SILICONE GEL FILLED.
- △ MATERIALS AND FINISH:
 - HOUSING: LCP, COLOR: BLACK
 - CONTACTS: COPPER ALLOY, FINISH: TIN

△	BLACK	2008994-2
△	WHITE	2008994-1
MATERIAL	COLOR	PART NUMBER

Tyco Electronics
 Harrisburg, PA 17105-3608

POKE-IN LED CONNECTOR ASSEMBLY
 I POSITION SMT, SEALED

SIZE	CASE CODE	DRAWING NO	RESTRICTED TO
A200779	C=2008994		

DATE	11FEB2008	OWN	R. BROWN
DATE	11FEB2008	CHK	J. DYER
DATE	11FEB2008	APP'D	J. DYER
DATE	11FEB2008	NAME	J. DYER
PRODUCT SPEC		APPLICATION SPEC	
WEIGHT		CUSTOMER DRAWING	

4

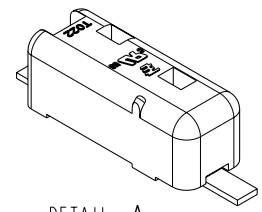
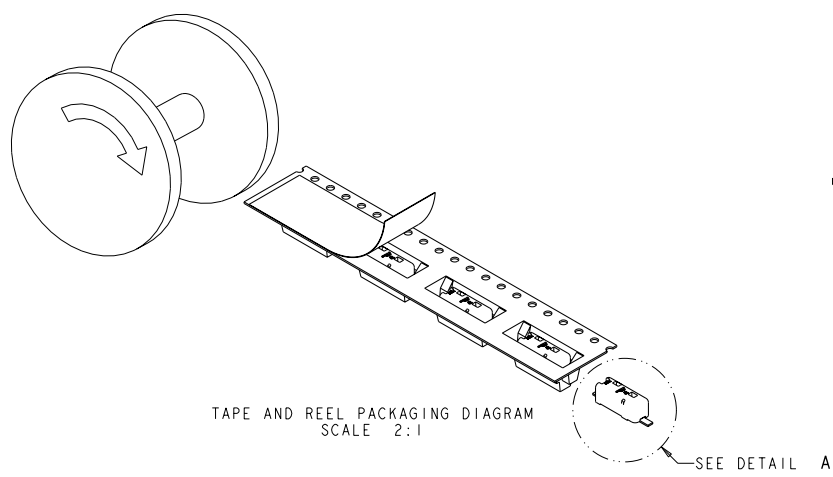
3

2

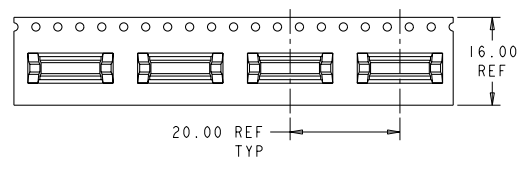
1

THIS DRAWING IS UNPUBLISHED. RELEASED FOR PUBLICATION BY TYCO ELECTRONICS CORPORATION. ALL RIGHTS RESERVED. COPYRIGHT 20

LOC	DIST	REVISIONS			
P	LYR	DESCRIPTION	DATE	BY	APPR
-	-	SEE SHEET 1	-	-	-



DETAIL A
SCALE 8:1



<small>TOP DRAWING IS UNPUBLISHED. RELEASED FOR PUBLICATION BY TYCO ELECTRONICS CORPORATION. ALL RIGHTS RESERVED. COPYRIGHT 20</small>		DWG R. BROWN 11FEB2008 CHK J. DYER 11FEB2008 APPR J. DYER 11FEB2008	Tyco Electronics Harrisburg, PA 17105-3608
DIMENSIONS: mm 	TOLERANCES UNLESS OTHERWISE SPECIFIED: 0 PLC ±0.5 1 PLC ±0.5 2 PLC ±0.10 3 PLC ±0.1 4 PLC ±0.1 ANGLES ±1°	NAME POKE-IN LED CONNECTOR ASSEMBLY 1 POSITION SMT, SEALED	SIZE CASE CODE DRAWING NO A200779 C-2008994
MATERIAL SEE TABLE	WEIGHT SEE TABLE	RESTRICTED TO CUSTOMER DRAWING	SCALE 2:1 SHEET 2 OF 2 REV A.1