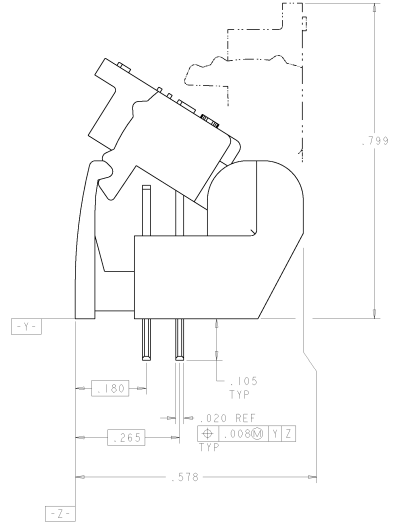
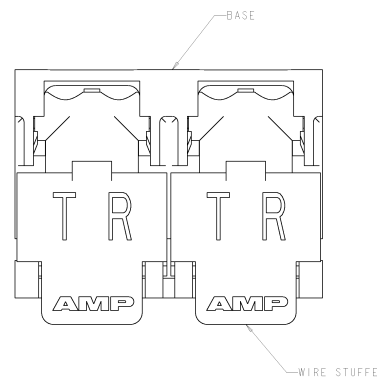
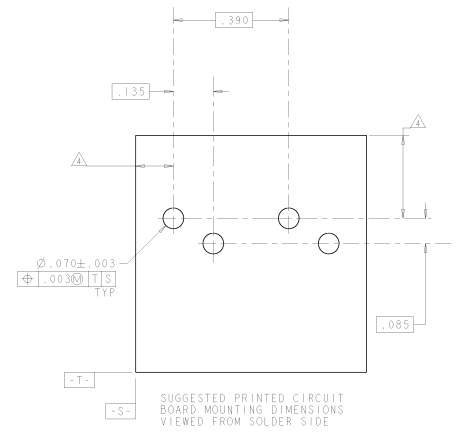
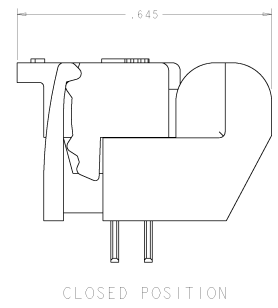
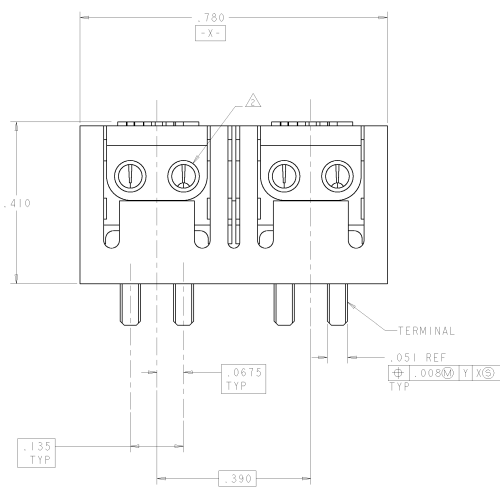


REV	DATE	DESCRIPTION	BY	CHK	APP
0		REVISIONS			
B		REV. EC 001C-007-01		JA	TM
C		REVISED PER EC 0515-0450-02		BLO	BPW
D		REVISED PER EC 0515-0514-03		JB	CF



- ⚠ MATERIAL: BASE - POLYESTER MOLDING COMPOUND, BLACK
 WIRE STUFFER: - POLYESTER MOLDING COMPOUND, SEE TABLE FOR COLOR;
 TERMINAL - COPPER ALLOY, PLATED WITH 3.81µm MINIMUM THICK TIN OVER 1.27µm MINIMUM THICK NICKEL UNDERPLATE.
- ⚠ EACH WIRE ENTRY HOLE ACCEPTS ONE UNSTRIPPED SOLID COPPER 22-26 AWG WIRE WITH WIRE INSULATION DIAMETER RANGE FROM .060 THROUGH .040. OTHER WIRE SIZES AND TYPES SHALL BE SUBMITTED TO AMP ENGINEERS FOR APPLICATION APPROVAL.
- 3. SOLDER TABS PROVIDED FOR PERMANENT BOARD MOUNTING.
- ⚠ LOCATION OF HOLE PATTERN DETERMINED BASED ON CUSTOMER REQUIREMENTS.



BLACK	1339374-2
CLEAR	1339374-1
STUFFER COLOR	PART NUMBER

AMP Incorporated Harrisburg, PA 17105-0001	
INCHES MILLIMETERS	AMP Incorporated Harrisburg, PA 17105-0001
PART NUMBER 1339374-1	PART NUMBER 1339374-2
TITLE DOUBLE PAIR, DOUBLE ENTRY, PIVOT II CONNECTOR	CASE CODE A1 00779
MATERIAL COPPER ALLOY	CUSTOMER DRAWING 1339374